

Built-in

# BIOETHANOL BURNERS



ecosmart<sup>™</sup>  
Fire

McGrath Real Estate Office, Australia  
Model: XL1200

Designed by The United Collective and built by The Outfit Group for McGrath real estate agency, this custom joinery is beautifully contrasted with hints of golden accents and a lively orange flame at its center. The use of dark tones and white marble surround creates an elegant focal point that is subtle, yet visually striking.

# Built-in BIOETHANOL BURNERS

<b>BURNERS*</b>				
All burners are UL Listed in accordance with ANSI/UL1370 in the USA, Certified by BSI in accordance with EN16647, and comply with the ACCC Safety Mandate for Australia (except VB).				
	<b>XL1200</b>	<b>XL900</b>	<b>XL700</b>	<b>XL500</b>
<b>Fuel Capacity</b>	10 L [2.6 Gals]	9 L [2.4 Gals]	7 L [1.8 Gals]	5 L [1.3 Gals]
<b>Heats on Average</b> (when used indoors)	Over 65m <sup>2</sup> [700ft <sup>2</sup> ]	Over 60m <sup>2</sup> [645ft <sup>2</sup> ]	Over 50m <sup>2</sup> [538ft <sup>2</sup> ]	Over 40m <sup>2</sup> [430.6ft <sup>2</sup> ]
<b>Fuel Consumption</b>	0.87 L/h [0.23 Gal/h]	0.8 L/h [0.21 Gal/h]	0.7 L/h [0.18 Gal/h]	0.5 L/h [0.13 Gal/h]
<b>Thermal Output Net (MAX)</b>	17 MJ/h 15,290 BTU/h 4.5 kW	16 MJ/h 15,000 BTU/h 4.4 kW	14.5 MJ/h 13,650 BTU/h 4 kW	12 MJ/h 11,430 BTU/h 3.35 kW
<b>Approx. Burn Time</b>	9 - 14 hours	8 - 13 hours	9 - 12 hours	10 - 13 hours
<b>Minimum Room Size</b> (per burner)	115m <sup>3</sup> [4061ft <sup>3</sup> ]	110m <sup>3</sup> [3884ft <sup>3</sup> ]	90m <sup>3</sup> [3178ft <sup>3</sup> ]	80m <sup>3</sup> [2825ft <sup>3</sup> ]

## COMPATIBLE FIRE PIT KITS

<b>Round 20, Square 22</b>				
<b>Linear 50, Linear Curved 65</b>		• ^^#†		
<b>Linear 90</b>		• X2 ^^#†		
<b>Linear 130</b>		• X3 ^^#†		

## COMPATIBLE FIREPLACE GRATES

<b>Grate 18</b>				
<b>Grate 30</b>				• ^#†
<b>Grate 36</b>			• ^#†	

## COMPATIBLE FIREPLACE INSERTS

<b>Flex 18</b>				
<b>720CV, Flex 32, Flex 50.BX, Flex 68.BX2</b>				• ^#†
<b>920CV, Flex 42, Flex 60.BX, Flex 78.BX2</b>			• ^#†	
<b>1100CV, Flex 50, Flex 68.BX, Flex 86.BX2</b>		• ^#†		
<b>Flex 68, Flex 86.BX, Flex 104.BX2</b>	• ^#†			
<b>Flex 86, Flex 104.BX, Flex 122.BX2</b>		• X2 ^#†		
<b>Flex 122, Flex 140.BX, Flex 158.BX2</b>		• X3 ^#†		
<b>Flex 104, Flex 122.BX, Flex 140.BX2</b>	• X2 ^#†			
<b>Flex 158</b>	• X3 ^#†			







## COMPATIBLE FREESTANDING FIREPLACES

<b>Ark 40, Base Series, Manhattan 50, Martini 50, Pod Series</b>				
<b>Cosmo 50, Wharf 65, Gin 90 Series</b>		• ^^#†		
<b>Mix 850</b>				
<b>Mini T, Mix 600, Stix</b>				
<b>Igloo</b>				
<b>Ghost</b>				• ^#†

\* These values are indicative only and may vary depending on the model purchased, installation, and the seasonal resource used to manufacture e-NRG.

^ Model conforms to EN16647. ^^ Model conforms to EN16647 when configured with the Indoor Safety Tray.

# Model is a manufacturer approved surround for the compatible UL Listed Burner. † Model complies with ACCC.

					
<b>XS340</b>	<b>BK5</b>	<b>AB8</b>	<b>AB8 (EN)</b>	<b>AB3</b>	<b>VB2</b>
2.5 L [0.7 Gals]	5 L [1.3 Gals]	8 L [2.1 Gals]	8 L [2.1 Gals]	2.5 L [0.7 Gals]	2 L [0.5 Gals]
Over 20m <sup>2</sup> [215ft <sup>2</sup> ]	Over 35m <sup>2</sup> [376.7ft <sup>2</sup> ]	Over 60m <sup>2</sup> [645ft <sup>2</sup> ]	Over 30m <sup>2</sup> [322.9ft <sup>2</sup> ]	Over 20m <sup>2</sup> [215ft <sup>2</sup> ]	Over 15m <sup>2</sup> [161ft <sup>2</sup> ]
0.45 L/h [0.12 Gal/h]	0.64 L/h [0.17 Gal/h]	1.1 L/h [0.29 Gal/h]	0.7 L/h [0.18 Gal/h]	0.31 L/h [0.1 Gal/h]	0.5 L/h [0.13 Gal/h]
8.93 MJ/h 8,530 BTU/h 2.5 kW	14 MJ/h 13,000 BTU/h 3.5 kW	21.56 MJ/h 20,433 BTU/h 5.99 kW	13.9 MJ/h 12,860 BTU/h 3.77 kW	6.14 MJ/h 5,800 BTU/h 1.7 kW	7.24 MJ/h 6,180 BTU/h 2.5 kW
5 hours	7 - 11 hours	7 - 11 hours	9 - 11 hours	8 - 11 hours	6 hours
45m <sup>3</sup> [1589ft <sup>3</sup> ]	70m <sup>3</sup> [2472ft <sup>3</sup> ]	116m <sup>3</sup> [4096ft <sup>3</sup> ]	116m <sup>3</sup> [4096ft <sup>3</sup> ]	40m <sup>3</sup> [1413ft <sup>3</sup> ]	45m <sup>3</sup> [1589ft <sup>3</sup> ]

			• ^^#†		

			• ^#†		

				• ^#†	

			• ^^#†		
		• #†			
				• #†	
	• ^#†				
				• ^#†	

# Built-in XL BURNER SERIES



Private Residence, Australia  
Model: XL700

A minimal design approach subtly highlights a flame making it the focal point of the space. In this installation in the Mornington Peninsula, the use of neutral colours of black, white and grey offers an inviting yet simple setting where a warm flame can be enjoyed in all areas of the room.

ecosmart<sup>+</sup>  
Fire

Addressing the demand for incorporating stretched flames into custom-designed settings, the linear features of the XL burners perfectly combine their sleek parallel lines with the clean lines of today's contemporary living. An elegant, bright, elongated flame helps 'make' an indoor or outdoor room and creates a distinctive drawcard.

Perfectly and easily integrated into media units, cabinetry, walls, pillars or stone benches, XL burners come in a range of sizes depending on the style you want to achieve. The many, diverse installations around the world are testament to the versatility of these amazing burners.

## Global Compliance

All burners are UL Listed in accordance with ANSI/UL1370 in the USA, Certified by BSI in accordance with EN16647, and comply with the ACCC Safety Mandate for Australia .

## Flame Regulation

Purpose-designed baffle inserts allow you to regulate and further stabilise the flame at the same time as increasing fuel efficiency of the burner.

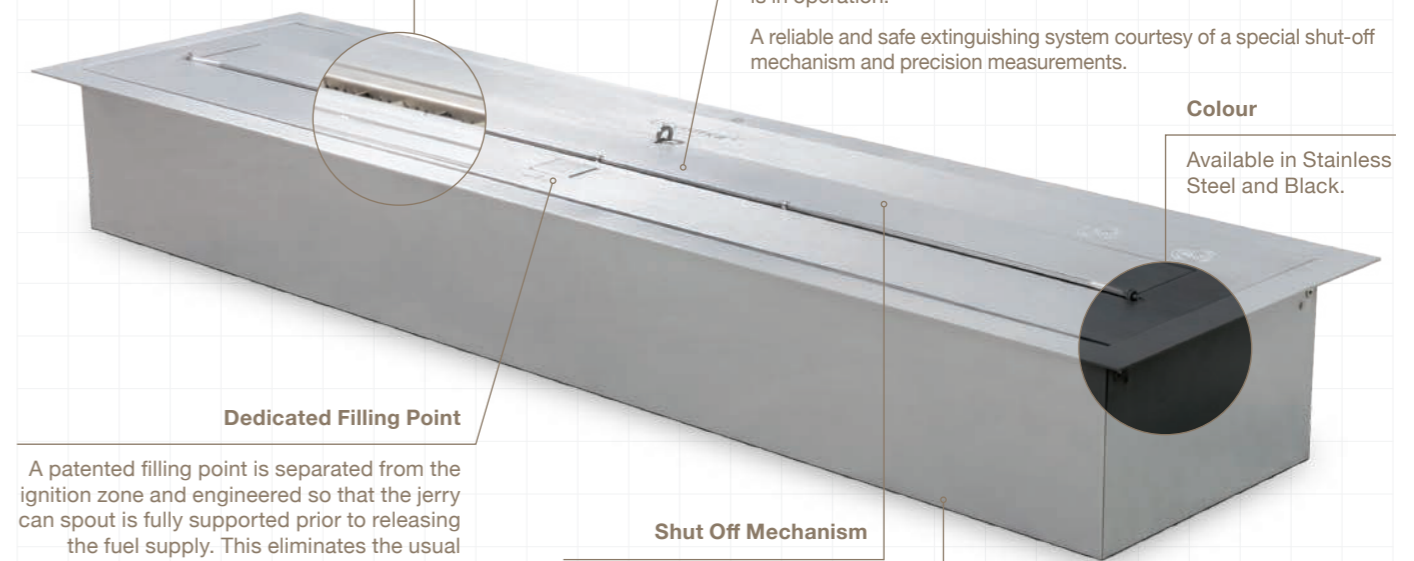
## Flip Lid Shut Off System

The series' 'flip lid' shut-off system fits perfectly across the ignition zone to extinguish the flame and, when it is open, denies access to the separated filling point as a deterrent to filling the burner while it is in operation.

A reliable and safe extinguishing system courtesy of a special shut-off mechanism and precision measurements.

## Colour

Available in Stainless Steel and Black.



## Dedicated Filling Point

A patented filling point is separated from the ignition zone and engineered so that the jerry can spout is fully supported prior to releasing the fuel supply. This eliminates the usual splash and spills that would otherwise occur when fuel is decanted into the burner while simultaneously reinforcing the maximum fill line within the burner.

## Shut Off Mechanism

XL burners operate under all conditions, at all temperatures, every time – reliable, consistent and reassuring.

## Top Tray

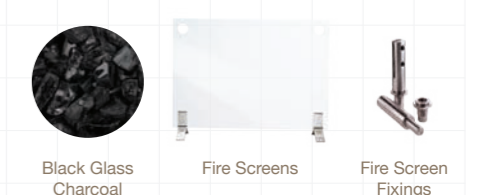
The Top Tray protects against heat transference and aids in the collection of accidental spillage.

To comply with EN 16647 the Top Tray must be installed before operating the burner.


## Included Accessories



## Optional Accessories



# Built-in XL BURNER SERIES SPECIFICATIONS

BURNERS*	XL1200	XL900	XL700	XL500
<b>Fuel Capacity</b>	10 L [2.6 Gals]	9 L [2.4 Gals]	7 L [1.8 Gals]	5 L [1.3 Gals]
<b>Heats on Average</b> (when used indoors)	Over 65 square metres [700 square feet]	Over 60 square metres [645 square feet]	Over 50 square metres [538 square feet]	Over 40 square metres [430.6 square feet]
<b>Fuel Consumption</b>	0.87 L/h [0.23 Gal/h]	0.8 L/h [0.21 Gal/h]	0.7 L/h [0.18 Gal/h]	0.5 L/h [0.13 Gal/h]
<b>Thermal Output Net (MAX)</b>	17 MJ/h 15,290 BTU/h 4.5 kW	16 MJ/h 15,000 BTU/h 4.4 kW	14.5 MJ/h 13,650 BTU/h 4 kW	12 MJ/h 11,430 BTU/h 3.35 kW
<b>Approx. Burn Time</b>	9 - 14 hours	8 - 13 hours	9 - 12 hours	10 - 13 hours
<b>Minimum Room Size (per burner)</b>	115 cubic metres [4061 cubic feet]	110 cubic metres [3884 cubic feet]	90 cubic metres [3178 cubic feet]	80 cubic metres [2825 cubic feet]
<b>Included Accessories</b> Operational accessories designed for safe and ergonomic fire ignition and extinguishing	 <p>Jerry Can    Lighting Rod + Lighter    Operations Manual    Baffles    Top Tray</p>			

## COMPATIBLE FIRE PIT KITS

Linear 50, Linear Curved 65		• ^^#†		
Linear 90		• X2 ^^#†		
Linear 130		• X3 ^^#†		

## COMPATIBLE FIREPLACE GRATES

Grate 30				• ^#†
Grate 36			• ^#†	

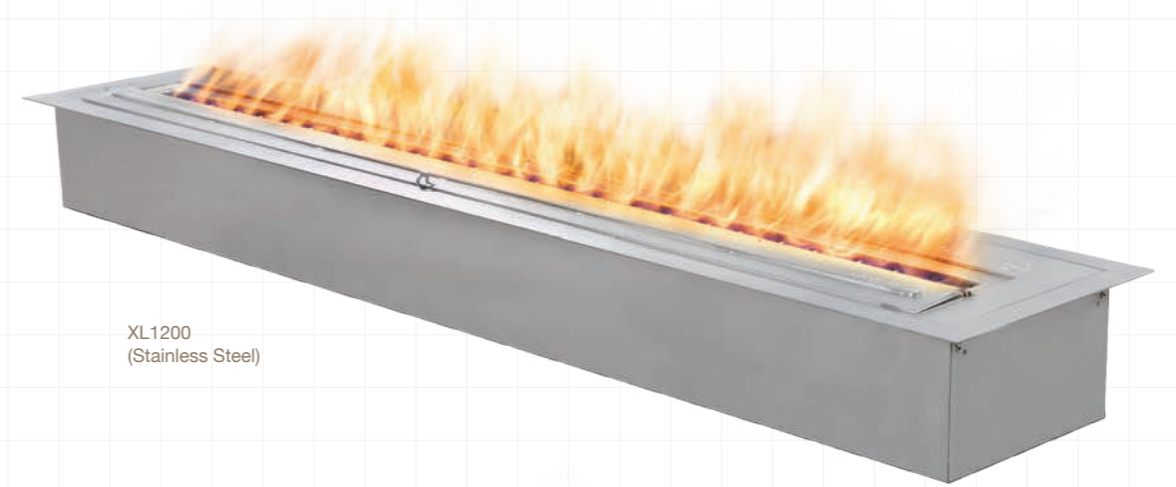
## COMPATIBLE FIREPLACE INSERTS

720CV, Flex 32, Flex 50.BX, Flex 68.BX2				• ^#†
920CV, Flex 42, Flex 60.BX, Flex 78.BX2			• ^#†	
1100CV, Flex 50, Flex 68.BX, Flex 86.BX2		• ^#†		
Flex 68, Flex 86.BX, Flex 104.BX2	• ^#†			
Flex 86, Flex 104.BX, Flex 122.BX2		• X2 ^#†		
Flex 122, Flex 140.BX, Flex 158.BX2		• X3 ^#†		
Flex 104, Flex 122.BX, Flex 140.BX2	• X2 ^#†			
Flex 158	• X3 ^#†			

## COMPATIBLE FREESTANDING FIREPLACES

Cosmo 50, Wharf 65, Gin 90 Series		• ^^#†		
--------------------------------------	--	--------	--	--

\* These values are indicative only and may vary depending on the model purchased, installation, and the seasonal resource used to manufacture e-NRG. ^ Model conforms to EN16647. ^^ Model conforms to EN16647 when configured with the Indoor Safety Tray. # Model is a manufacturer approved surround for the compatible UL Listed Burner. † Model complies with ACCC.



XL1200  
(Stainless Steel)



XL900  
(Stainless Steel)

AWARD  
WINNING

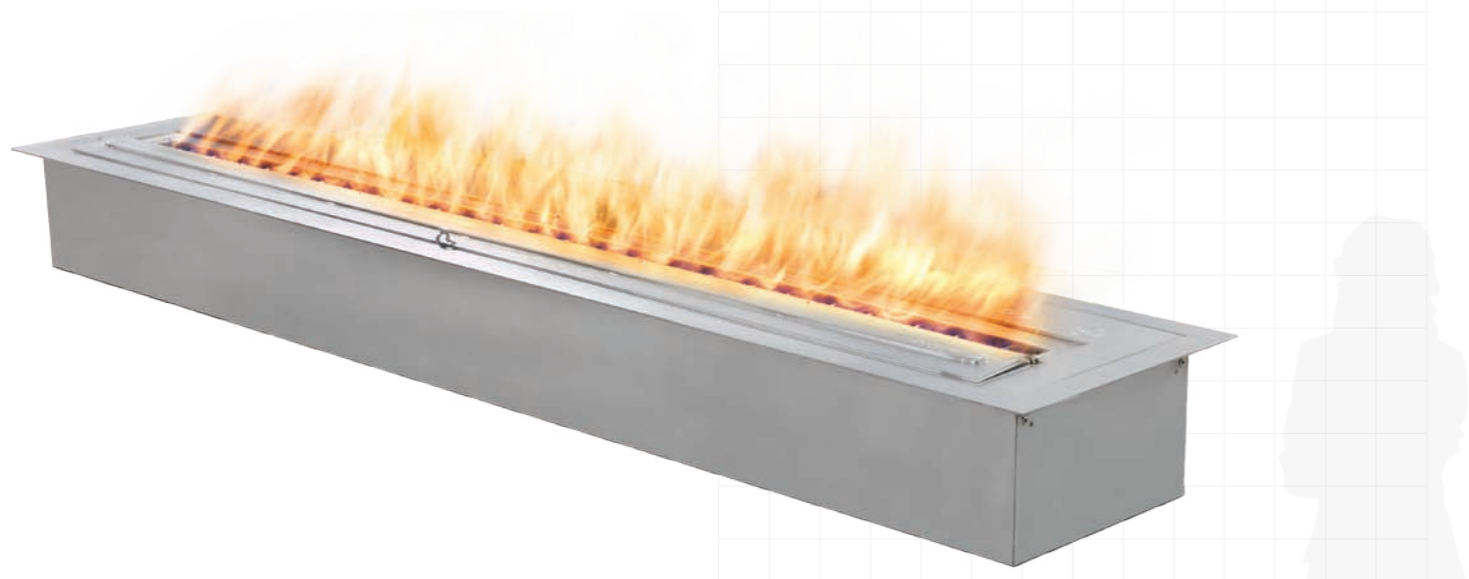


XL700  
(Black)



XL500  
(Stainless Steel)

# XL1200

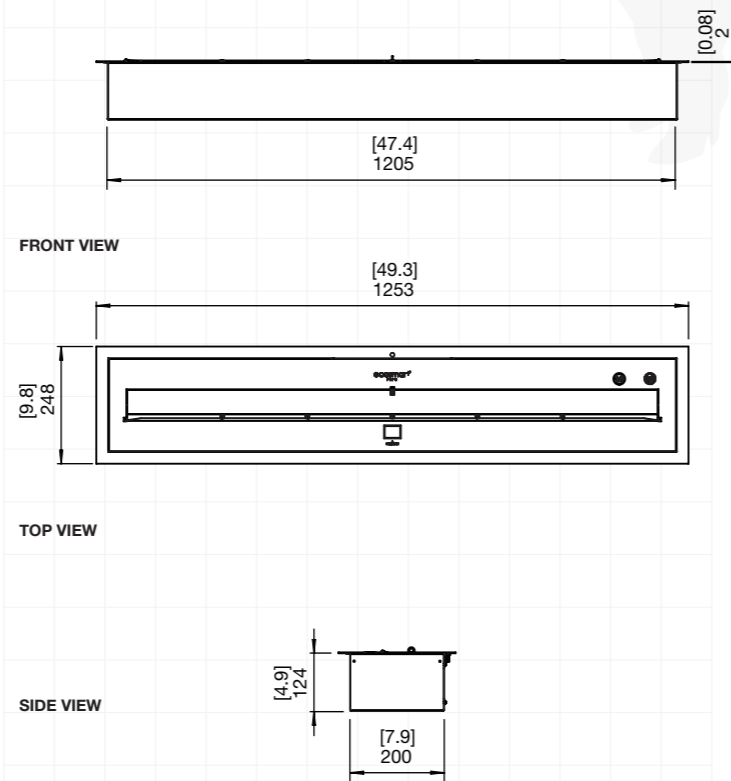


<b>Application</b>	Indoor & Outdoor				
<b>Materials</b>	Grade 304 Stainless Steel, Black Ceramic Coat				
<b>Weight</b>	20.8kg [45.8lbs]				
<b>Colour &amp; SKU</b>	<table border="0"> <tr> <td><span style="display:inline-block; width:10px; height:10px; background-color:gray; border:1px solid black;"></span> Stainless Steel</td> <td>ESF.2.B.XL12.WTT</td> </tr> <tr> <td><span style="display:inline-block; width:10px; height:10px; background-color:black; border:1px solid black;"></span> Black</td> <td>ESF.2.B.XL12.WTT.BL</td> </tr> </table>	<span style="display:inline-block; width:10px; height:10px; background-color:gray; border:1px solid black;"></span> Stainless Steel	ESF.2.B.XL12.WTT	<span style="display:inline-block; width:10px; height:10px; background-color:black; border:1px solid black;"></span> Black	ESF.2.B.XL12.WTT.BL
<span style="display:inline-block; width:10px; height:10px; background-color:gray; border:1px solid black;"></span> Stainless Steel	ESF.2.B.XL12.WTT				
<span style="display:inline-block; width:10px; height:10px; background-color:black; border:1px solid black;"></span> Black	ESF.2.B.XL12.WTT.BL				
<b>Fuel Type</b>	e-NRG Bioethanol				
<b>BURNER VENTILATION &amp; EFFICIENCY*</b>					
<b>Fuel Capacity</b>	10 Litres [2.6 Gallons]				
<b>Heats on Average</b> (when used indoors)	Over 65 square metres [700 square feet]				
<b>Fuel Consumption</b>	0.87 L/h [0.23 Gal/h]				
<b>Thermal Output Net (MAX)</b>	17 MJ/h - 15,290 BTU/h - 4.5 kW				
<b>Burn Time</b>	9 - 14 hours (approx)				
<b>Minimum Room Size</b>	115 cubic metres [4061 cubic feet] per burner.				

Read the manual carefully before operating the burner. Physical model dimensions should be verified against cut out dimensions BEFORE installation begins to confirm tolerances align.

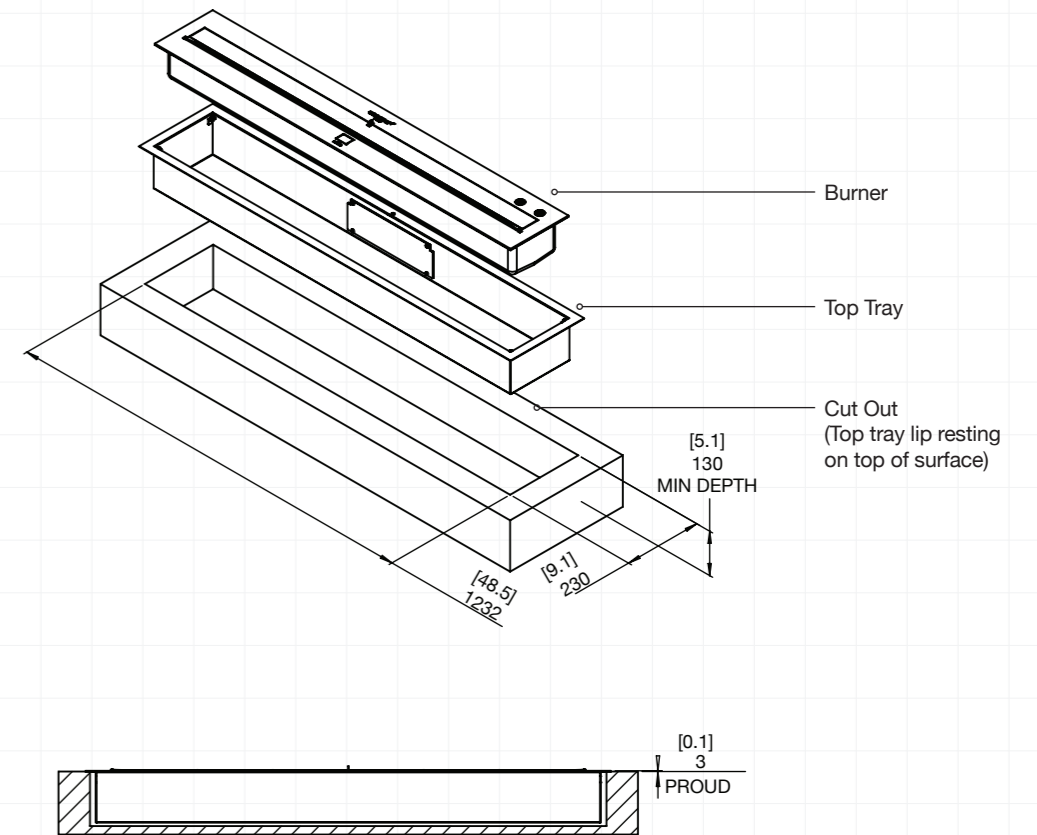
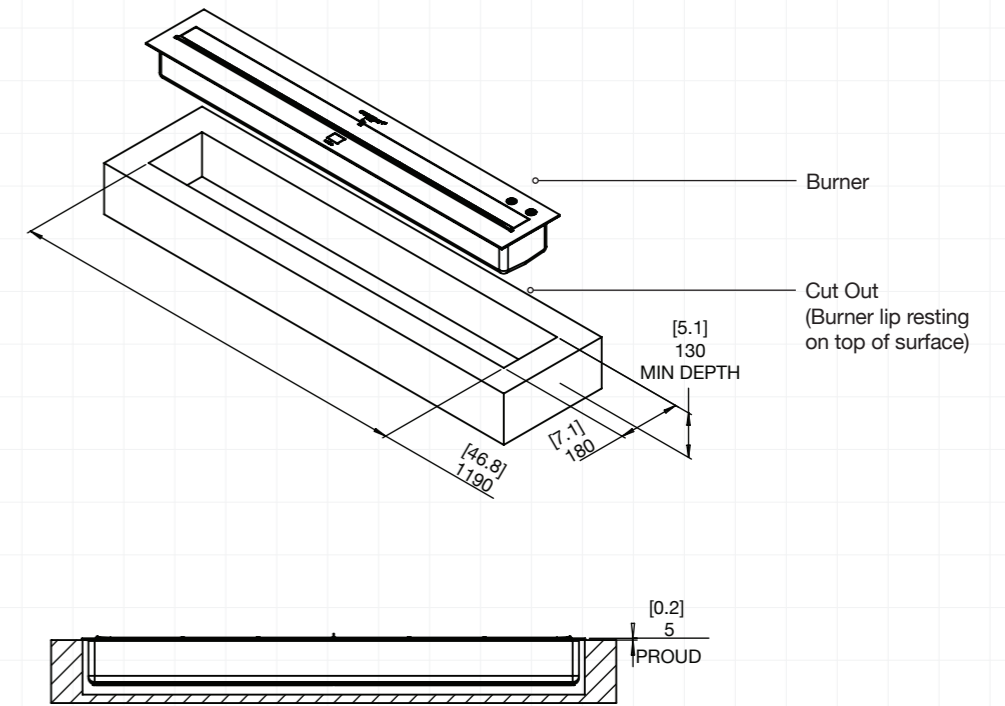
\* These values are indicative only and may vary depending on the model purchased, installation, and the seasonal resource used to manufacture e-NRG.

**Global Compliance**  
All burners are UL Listed in accordance with ANSI/UL1370 in the USA, Certified by BSI in accordance with EN16647, and comply with the ACCC Safety Mandate for Australia (except VB).

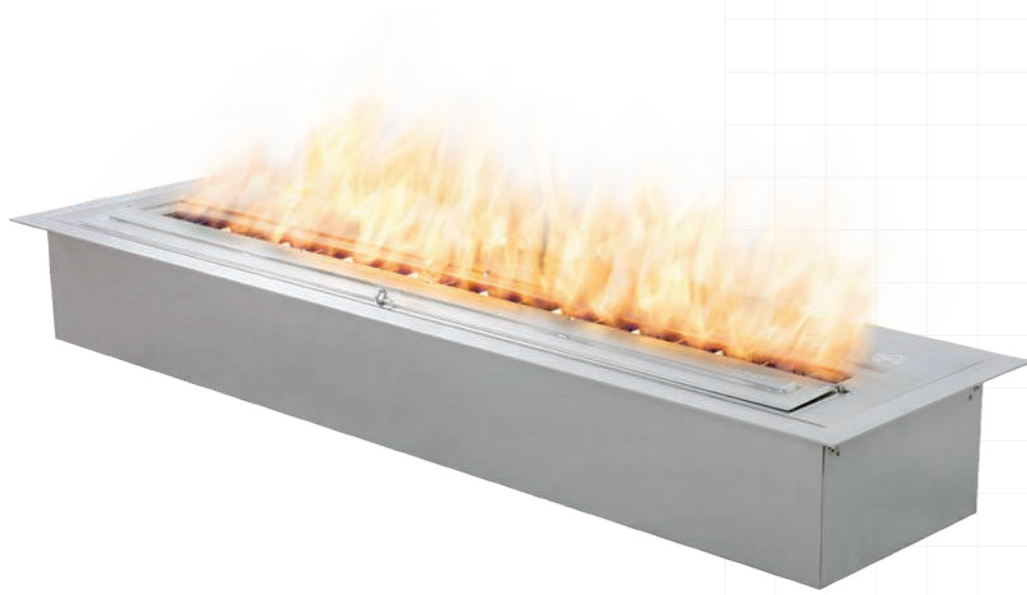


## XL1200 CUT OUT DIMENSIONS

Physical model dimensions should be verified against cut out dimensions BEFORE installation begins to confirm tolerances align.



# XL900



<b>Application</b>	Indoor & Outdoor				
<b>Awards</b>	2009 Hearth & Home Vesta Award (USA)				
<b>Materials</b>	Grade 304 Stainless Steel, Black Ceramic Coat				
<b>Weight</b>	16.2kg [35.6lbs]				
<b>Colour &amp; SKU</b>	<table border="0"> <tr> <td><span style="display:inline-block; width:10px; height:10px; background-color:gray; border:1px solid black;"></span> Stainless Steel</td> <td>ESF.2.B.XL9.WTT</td> </tr> <tr> <td><span style="display:inline-block; width:10px; height:10px; background-color:black; border:1px solid black;"></span> Black</td> <td>ESF.2.B.XL9.WTT.BL</td> </tr> </table>	<span style="display:inline-block; width:10px; height:10px; background-color:gray; border:1px solid black;"></span> Stainless Steel	ESF.2.B.XL9.WTT	<span style="display:inline-block; width:10px; height:10px; background-color:black; border:1px solid black;"></span> Black	ESF.2.B.XL9.WTT.BL
<span style="display:inline-block; width:10px; height:10px; background-color:gray; border:1px solid black;"></span> Stainless Steel	ESF.2.B.XL9.WTT				
<span style="display:inline-block; width:10px; height:10px; background-color:black; border:1px solid black;"></span> Black	ESF.2.B.XL9.WTT.BL				
<b>Fuel Type</b>	e-NRG Bioethanol				

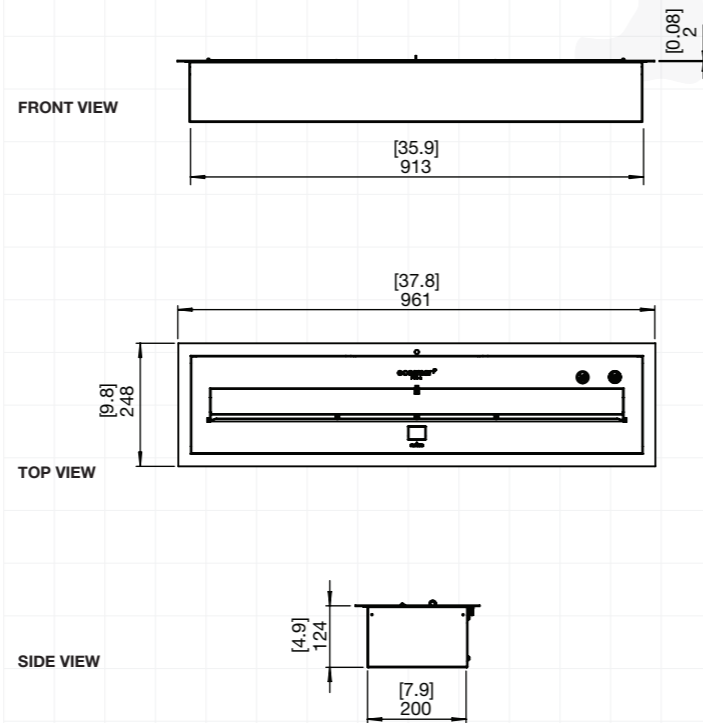
## BURNER VENTILATION & EFFICIENCY\*

<b>Fuel Capacity</b>	9 Litres [2.4 Gallons]
<b>Heats on Average (when used indoors)</b>	Over 60 square metres [645 square feet]
<b>Fuel Consumption</b>	0.8 L/h [0.21 Gal/h]
<b>Thermal Output Net (MAX)</b>	16 MJ/h - 15,000 BTU/h - 4.4 kW
<b>Burn Time</b>	8 - 13 hours (approx)
<b>Minimum Room Size</b>	110 cubic metres [3884 cubic feet] per burner.

Read the manual carefully before operating the burner. Physical model dimensions should be verified against cut out dimensions BEFORE installation begins to confirm tolerances align.

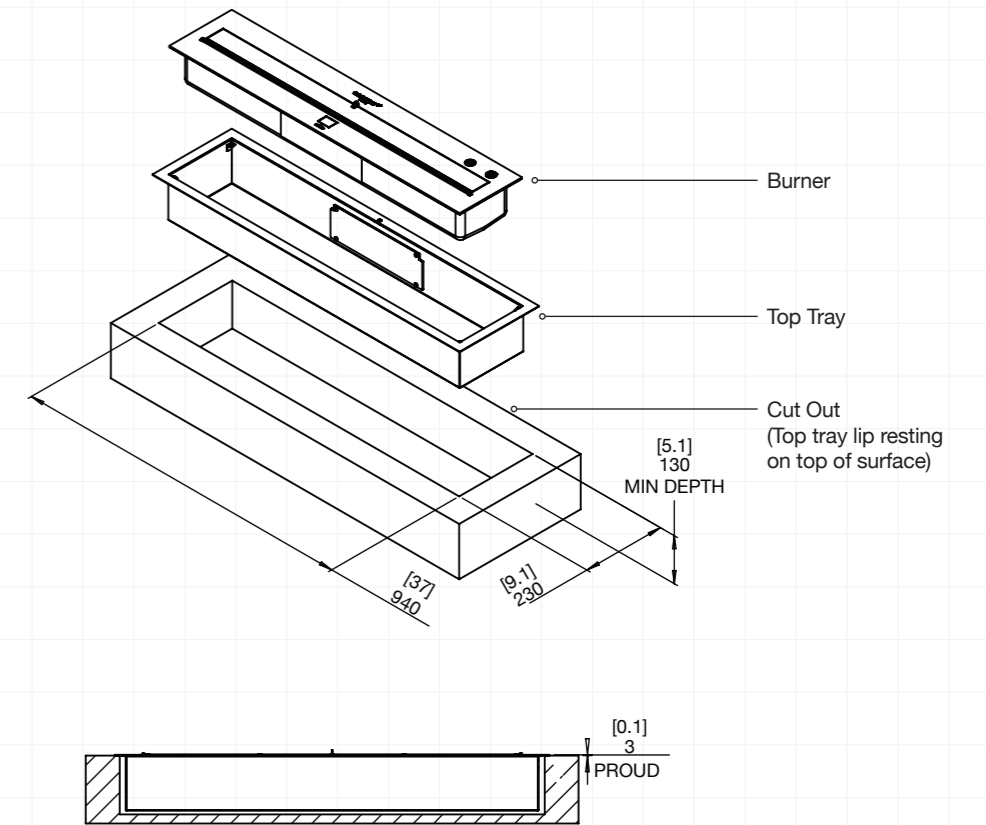
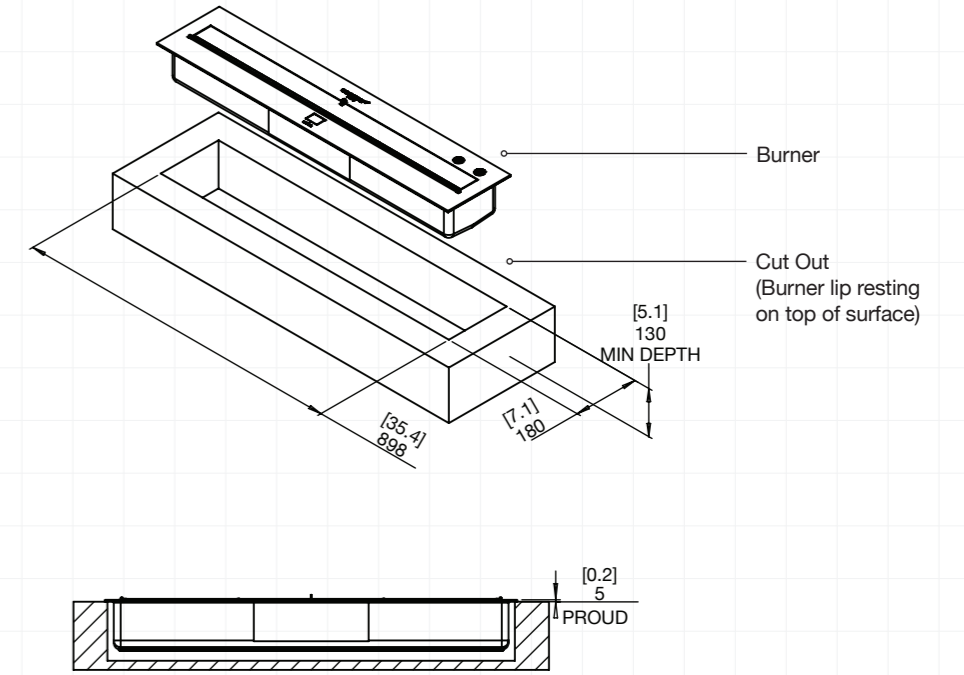
\* These values are indicative only and may vary depending on the model purchased, installation, and the seasonal resource used to manufacture e-NRG.

**Global Compliance**  
All burners are UL Listed in accordance with ANSI/UL1370 in the USA, Certified by BSI in accordance with EN16647, and comply with the ACCC Safety Mandate for Australia (except VB).



## XL900 CUT OUT DIMENSIONS

Physical model dimensions should be verified against cut out dimensions BEFORE installation begins to confirm tolerances align.



# XL700



<b>Application</b>	Indoor & Outdoor				
<b>Materials</b>	Grade 304 Stainless Steel, Black Ceramic Coat				
<b>Weight</b>	12.5kg [27.6lbs]				
<b>Colour &amp; SKU</b>	<table border="0"> <tr> <td><span style="display:inline-block; width:10px; height:10px; background-color:gray; border:1px solid black;"></span> Stainless Steel</td> <td>ESF.2.B.XL7.WTT</td> </tr> <tr> <td><span style="display:inline-block; width:10px; height:10px; background-color:black; border:1px solid black;"></span> Black</td> <td>ESF.2.B.XL7.WTT.BL</td> </tr> </table>	<span style="display:inline-block; width:10px; height:10px; background-color:gray; border:1px solid black;"></span> Stainless Steel	ESF.2.B.XL7.WTT	<span style="display:inline-block; width:10px; height:10px; background-color:black; border:1px solid black;"></span> Black	ESF.2.B.XL7.WTT.BL
<span style="display:inline-block; width:10px; height:10px; background-color:gray; border:1px solid black;"></span> Stainless Steel	ESF.2.B.XL7.WTT				
<span style="display:inline-block; width:10px; height:10px; background-color:black; border:1px solid black;"></span> Black	ESF.2.B.XL7.WTT.BL				
<b>Fuel Type</b>	e-NRG Bioethanol				

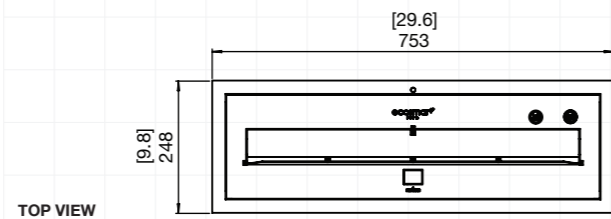
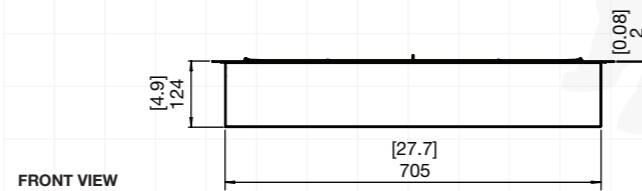
## BURNER VENTILATION & EFFICIENCY\*

<b>Fuel Capacity</b>	7 Litres [1.8 Gallons]
<b>Heats on Average</b> (when used indoors)	Over 50 square metres [538 square feet]
<b>Fuel Consumption</b>	0.7 L/h [0.18 Gal/h]
<b>Thermal Output Net (MAX)</b>	14.5 MJ/h - 13,650 BTU/h - 4 kW
<b>Burn Time</b>	9 - 12 hours (approx)
<b>Minimum Room Size</b>	90 cubic metres [3178 cubic feet] per burner.

Read the manual carefully before operating the burner. Physical model dimensions should be verified against cut out dimensions BEFORE installation begins to confirm tolerances align.

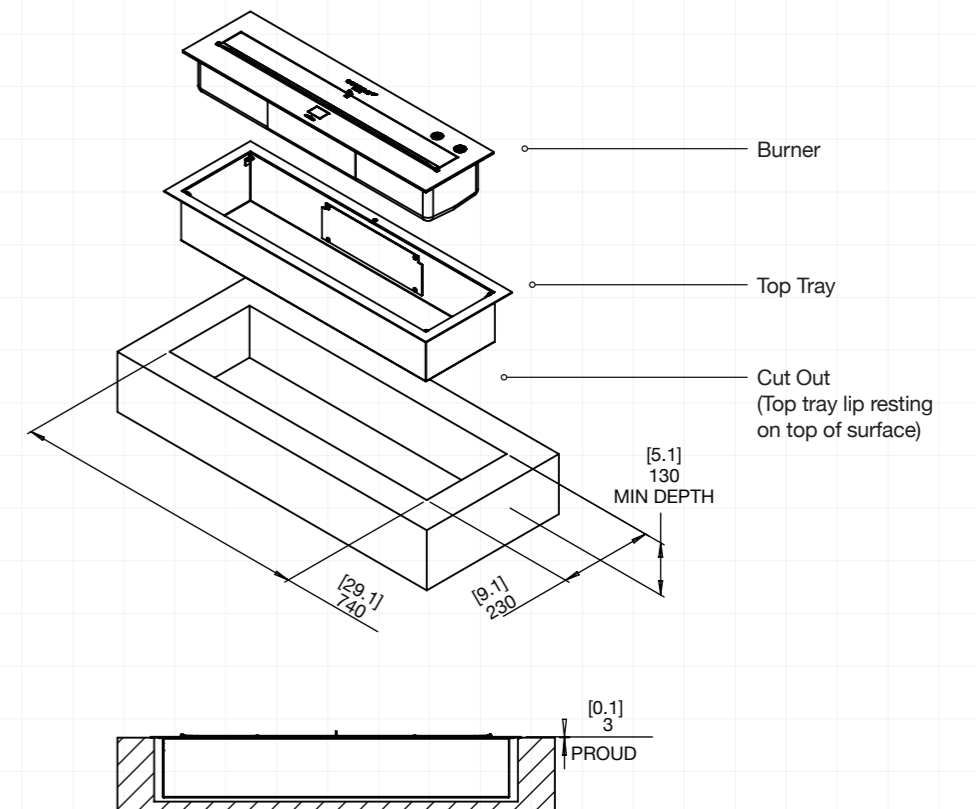
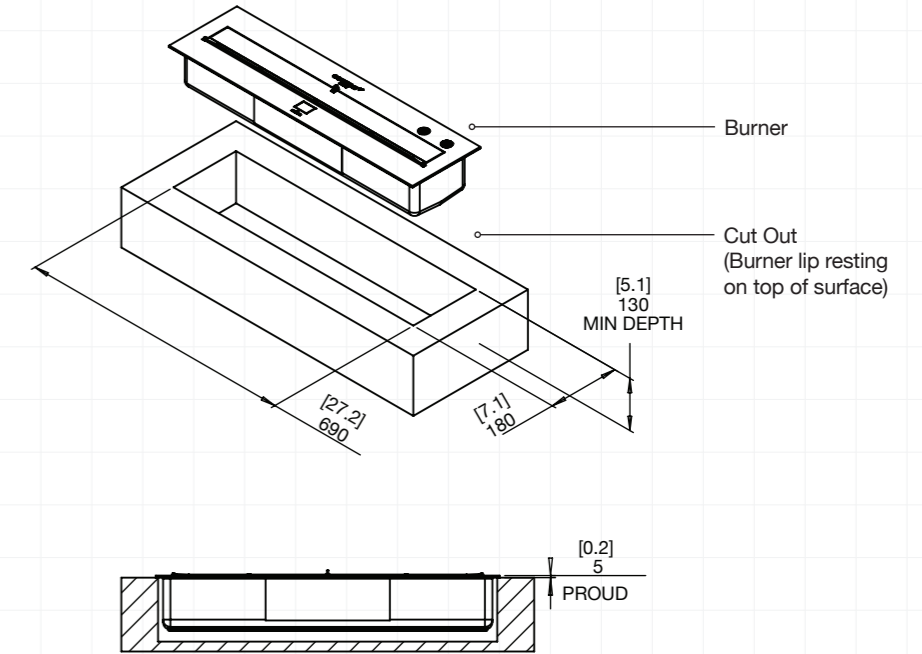
\* These values are indicative only and may vary depending on the model purchased, installation, and the seasonal resource used to manufacture e-NRG.

**Global Compliance**  
All burners are UL Listed in accordance with ANSI/UL1370 in the USA, Certified by BSI in accordance with EN16647, and comply with the ACCC Safety Mandate for Australia (except VB).



## XL700 CUT OUT DIMENSIONS

Physical model dimensions should be verified against cut out dimensions BEFORE installation begins to confirm tolerances align.



# XL500



<b>Application</b>	Indoor & Outdoor				
<b>Materials</b>	Grade 304 Stainless Steel, Black Ceramic Coat				
<b>Weight</b>	9.1kg [20lbs]				
<b>Colour &amp; SKU</b>	<table border="0"> <tr> <td><span style="display:inline-block; width:10px; height:10px; background-color:gray; border:1px solid black;"></span> Stainless Steel</td> <td>ESF.2.B.XL5.WTT</td> </tr> <tr> <td><span style="display:inline-block; width:10px; height:10px; background-color:black; border:1px solid black;"></span> Black</td> <td>ESF.2.B.XL5.WTT.BL</td> </tr> </table>	<span style="display:inline-block; width:10px; height:10px; background-color:gray; border:1px solid black;"></span> Stainless Steel	ESF.2.B.XL5.WTT	<span style="display:inline-block; width:10px; height:10px; background-color:black; border:1px solid black;"></span> Black	ESF.2.B.XL5.WTT.BL
<span style="display:inline-block; width:10px; height:10px; background-color:gray; border:1px solid black;"></span> Stainless Steel	ESF.2.B.XL5.WTT				
<span style="display:inline-block; width:10px; height:10px; background-color:black; border:1px solid black;"></span> Black	ESF.2.B.XL5.WTT.BL				
<b>Fuel Type</b>	e-NRG Bioethanol				

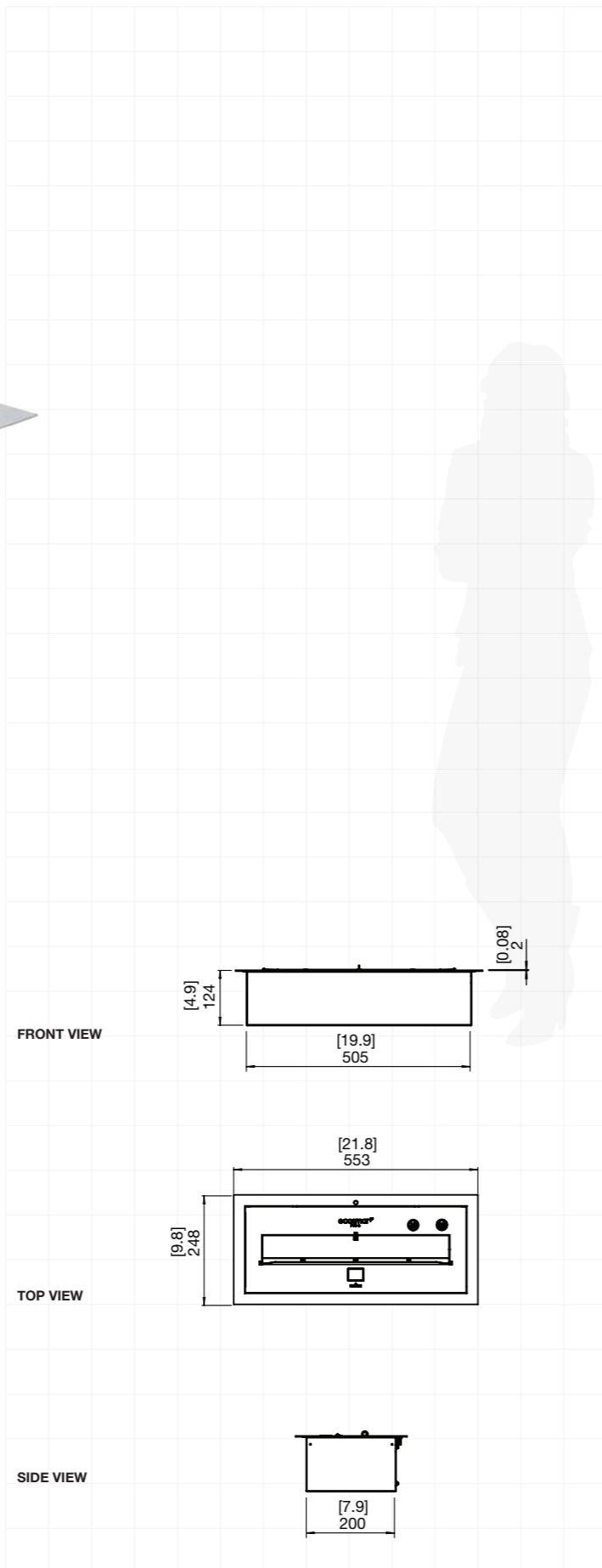
## BURNER VENTILATION & EFFICIENCY\*

<b>Fuel Capacity</b>	5 Litres [1.3 Gallons]
<b>Heats on Average</b> (when used indoors)	Over 40 square metres [430.6 square feet]
<b>Fuel Consumption</b>	0.5 L/h [0.13 Gal/h]
<b>Thermal Output</b> <b>Net (MAX)</b>	12 MJ/h - 11,430 BTU/h - 3.35 kW
<b>Burn Time</b>	10 - 13 hours (approx)
<b>Minimum Room Size</b>	80 cubic metres [2825 cubic feet] per burner.

Read the manual carefully before operating the burner. Physical model dimensions should be verified against cut out dimensions BEFORE installation begins to confirm tolerances align.

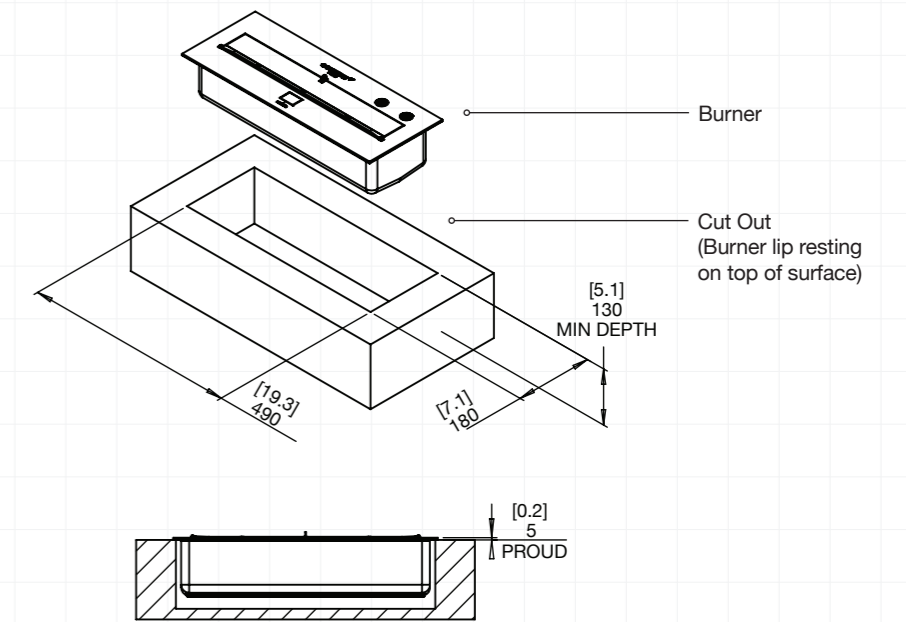
\* These values are indicative only and may vary depending on the model purchased, installation, and the seasonal resource used to manufacture e-NRG.

**Global Compliance**  
All burners are UL Listed in accordance with ANSI/UL1370 in the USA, Certified by BSI in accordance with EN16647, and comply with the ACCC Safety Mandate for Australia (except VB).

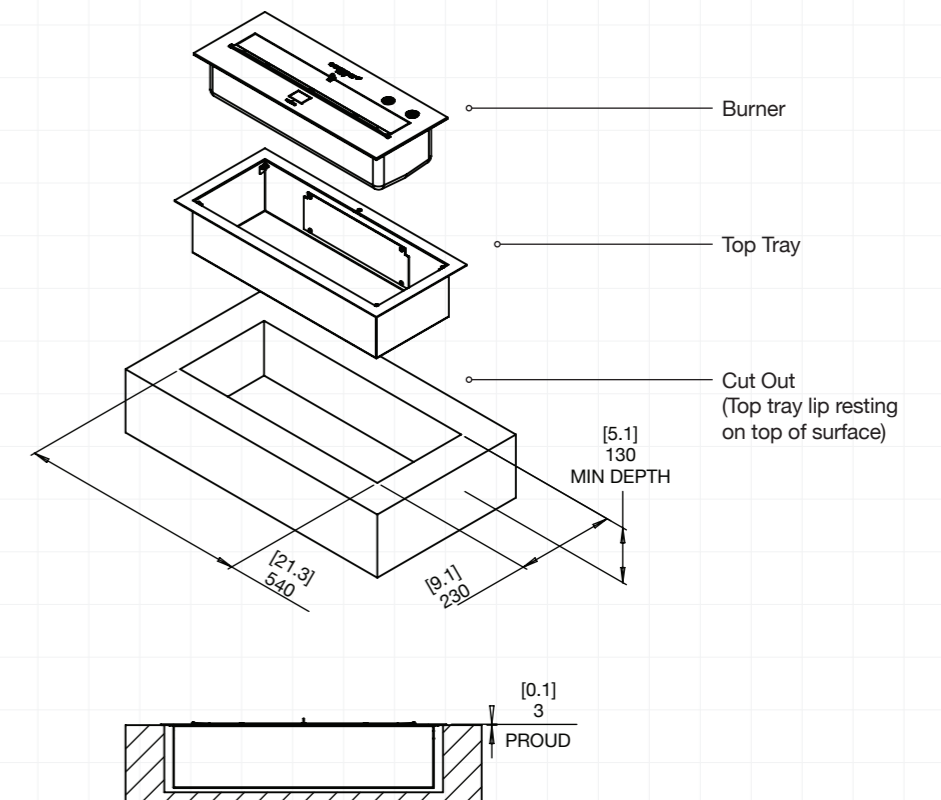


## XL500 CUT OUT DIMENSIONS

Physical model dimensions should be verified against cut out dimensions BEFORE installation begins to confirm tolerances align.



Burner WITHOUT Top Tray



Burner WITH Top Tray



# XS340



<b>Application</b>	Indoor & Outdoor				
<b>Materials</b>	Grade 304 Stainless Steel, Black Ceramic Coat				
<b>Weight</b>	5.4kg [11.9lbs]				
<b>Colour &amp; SKU</b>	<table border="0"> <tr> <td><span style="display:inline-block; width:10px; height:10px; background-color:gray; border:1px solid black;"></span> Stainless Steel</td> <td>ESF.1.B.XS3.WTT</td> </tr> <tr> <td><span style="display:inline-block; width:10px; height:10px; background-color:black; border:1px solid black;"></span> Black</td> <td>ESF.1.B.XS3.WTT.BL</td> </tr> </table>	<span style="display:inline-block; width:10px; height:10px; background-color:gray; border:1px solid black;"></span> Stainless Steel	ESF.1.B.XS3.WTT	<span style="display:inline-block; width:10px; height:10px; background-color:black; border:1px solid black;"></span> Black	ESF.1.B.XS3.WTT.BL
<span style="display:inline-block; width:10px; height:10px; background-color:gray; border:1px solid black;"></span> Stainless Steel	ESF.1.B.XS3.WTT				
<span style="display:inline-block; width:10px; height:10px; background-color:black; border:1px solid black;"></span> Black	ESF.1.B.XS3.WTT.BL				
<b>Fuel Type</b>	e-NRG Bioethanol				

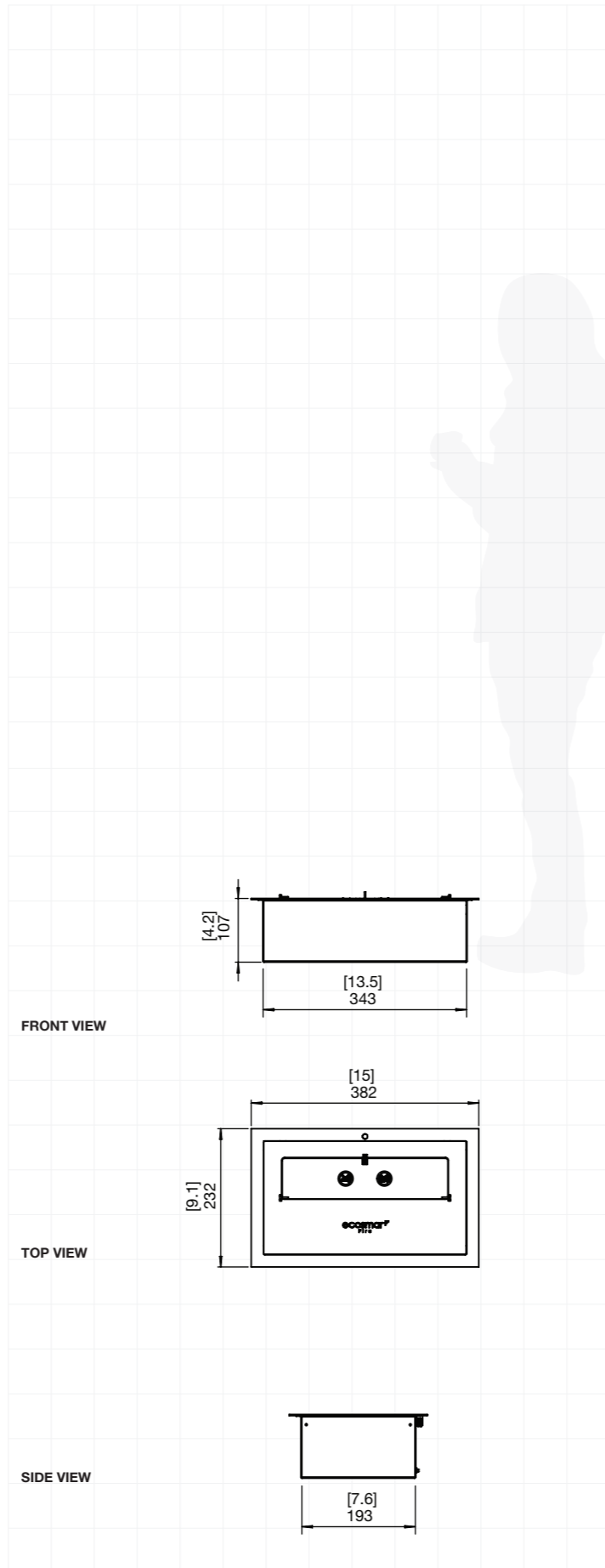
## BURNER VENTILATION & EFFICIENCY\*

<b>Fuel Capacity</b>	2.5 Litres [0.7 Gallons]
<b>Heats on Average</b> (when used indoors)	Over 20 square metres [215 square feet]
<b>Fuel Consumption</b>	0.45 L/h [0.12 Gal/h]
<b>Thermal Output Net (MAX)</b>	8.93 MJ/h - 8,530 BTU/h - 2.5 kW
<b>Burn Time</b>	5 hours (approx)
<b>Minimum Room Size</b>	45 cubic metres [1589 cubic feet] per burner.

Read the manual carefully before operating the burner. Physical model dimensions should be verified against cut out dimensions BEFORE installation begins to confirm tolerances align.

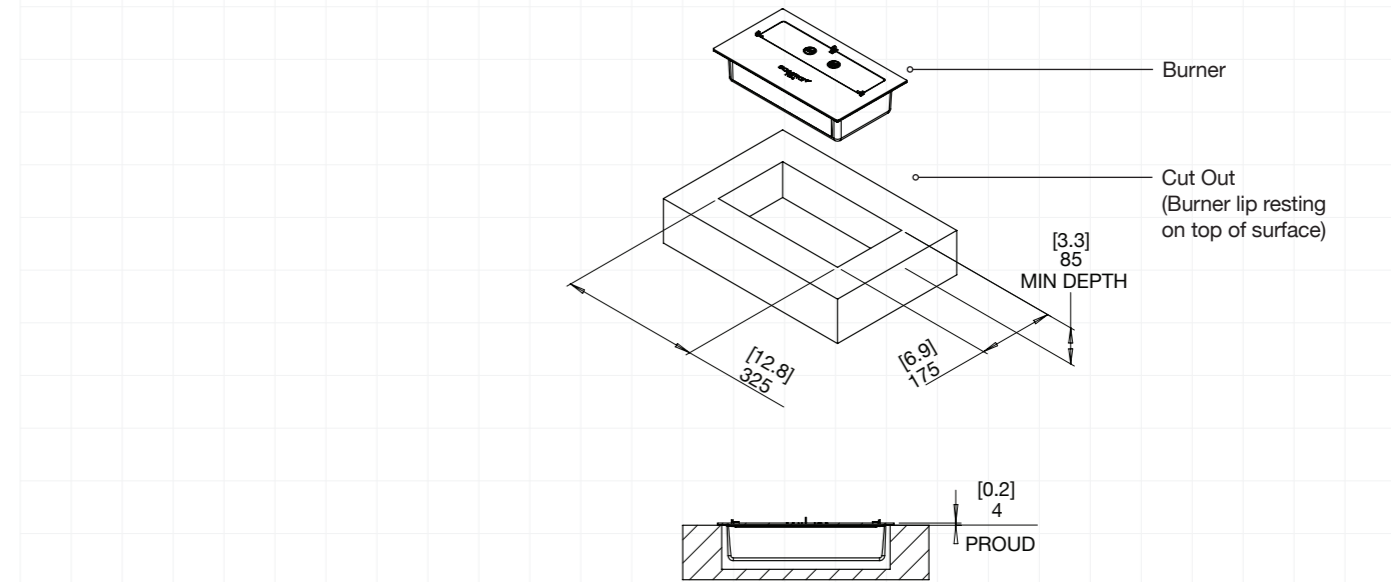
\* These values are indicative only and may vary depending on the model purchased, installation, and the seasonal resource used to manufacture e-NRG.

**Global Compliance**  
All burners are UL Listed in accordance with ANSI/UL1370 in the USA, Certified by BSI in accordance with EN16647, and comply with the ACCC Safety Mandate for Australia (except VB).

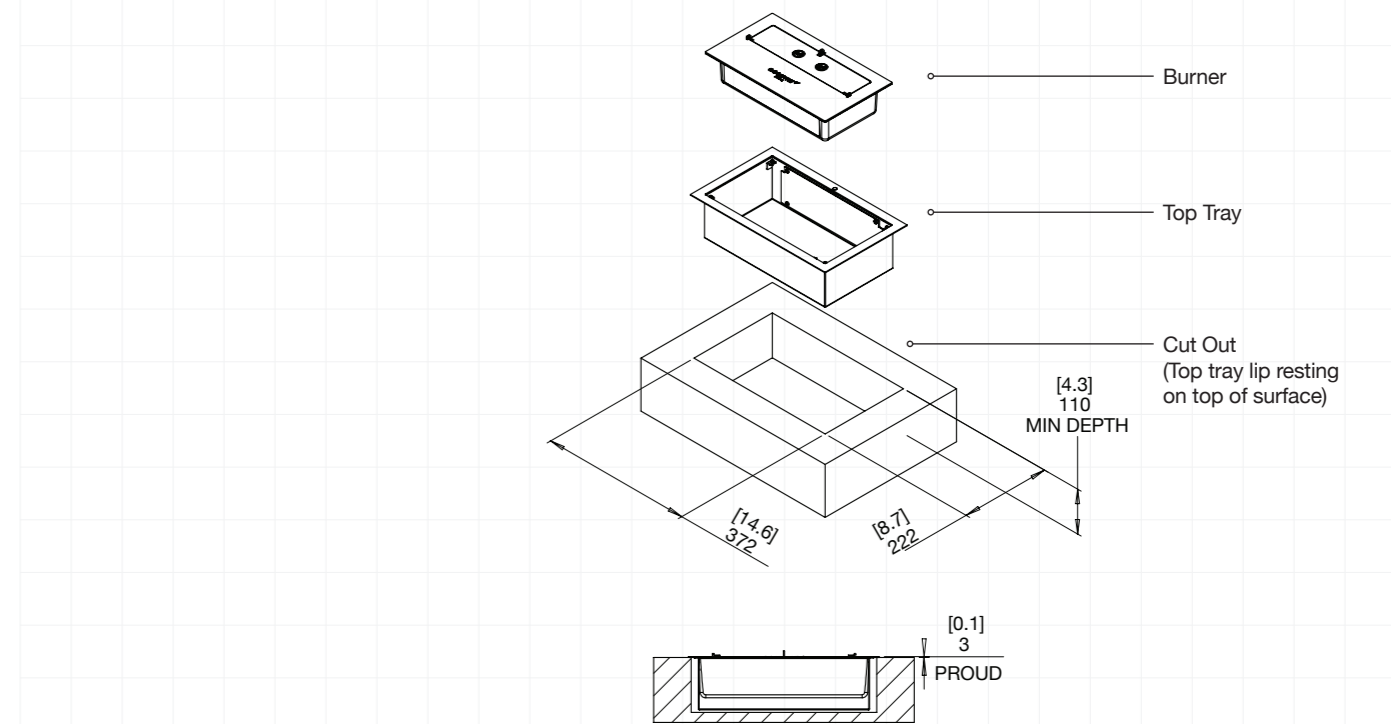


## XS340 CUT OUT DIMENSIONS

Physical model dimensions should be verified against cut out dimensions BEFORE installation begins to confirm tolerances align.



Burner WITHOUT Top Tray



Burner WITH Top Tray

# Built-in BK BURNER SERIES



Westin Hotel, Sydney Australia  
Model: BK5

An award-winning five star Sydney hotel has created an intimate lounge bar complete with an open fireplace that's providing a touch of 'home' for the guests.

 Read more about this case study at [ecosmartfire.com](http://ecosmartfire.com)

ecosmart<sup>+</sup>  
Fire

The original ethanol burner within the EcoSmart Fire range – and one of the most versatile. A core component of many portable Freestanding Fires, Fireplace Inserts and individually designed indoor and outdoor fires. You're only limited by your imagination.

Comprehensively tested, safety is a key consideration. A highly versatile and environmentally friendly fire design tool.

**Global Compliance**  
All burners are UL Listed in accordance with ANSI/UL1370 in the USA, Certified by BSI in accordance with EN16647, and comply with the ACCC Safety Mandate for Australia.

**Reliable Operation**  
BK's minimalist design and ability to withstand extreme heat result in consistent and reliable operation at all temperatures and permitted fuel levels.

**Seamless Construction**  
A deep-drawn fabrication process that eliminates the potential for dangerous leaks, while the standard provision of a top tray to hold the burner adds further peace of mind.

**Dedicated Filling Point**  
A separate filling point and jerry can equipped with a safety spout, allows the burner to be refuelled safely and easily. The spout rests on a plate within the filling point to decrease the risk of over-filling the burner and eliminating the usual splash and spills that would otherwise occur when fuel is decanted into the burner.

**Safe Filling**  
Perfectly aligned slider mechanism, filling point and fuelling system that allows an unobstructed view of the burner tank. This ensures the burner is not filled above the maximum capacity line.  
An additional safety measure that prevents the filling point from being accessed while the slider is open. This ensures the flame is fully extinguished before the burner can be refuelled.

**Colour**  
Available in Stainless Steel.

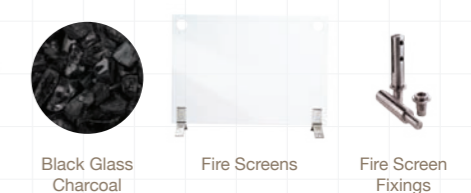
**Flame Regulation**  
Easy flame control that allows you to regulate the amount of heat being generated, and therefore the amount of fuel consumed. This results in a highly economical and efficient burner.

**Top Tray**  
The Top Tray protects against heat transference and aids in the collection of accidental spillage.  
To comply with EN 16647 the Top Tray must be installed before operating the burner.





#### Included Accessories



#### Optional Accessories



# Built-in BK BURNER SERIES SPECIFICATIONS

BURNER*	BK5
Fuel Capacity	5 Litres [1.3 Gallons]
Heats on Average (when used indoors)	Over 35 square metres [376.7 square feet]
Fuel Consumption	0.64 L/h [0.17 Gal/h]
Thermal Output Net (MAX)	14 MJ/h 13,000 BTU/h 3.5 kW
Approx. Burn Time	7 - 11 hours
Minimum Room Size (per burner)	70 cubic metres [2472 cubic feet]
Included Accessories Operational accessories designed for safe and ergonomic fire ignition and extinguishing	    <p>Jerry Can      Lighting Rod + Lighter      Operations Manual      Top Tray</p>

## COMPATIBLE FREESTANDING FIREPLACES

Igloo	• ^#†
-------	-------

\* These values are indicative only and may vary depending on the model purchased, installation, and the seasonal resource used to manufacture e-NRG.  
^ Model conforms to EN16647. # Model is a manufacturer approved surround for the compatible UL Listed Burner. † Model complies with ACCC.



BK5

# BK5



<b>Application</b>	Indoor & Outdoor
<b>Awards</b>	2004 Winner Design Mark Australian International Design Awards Sydney (AUS)
<b>Materials</b>	Grade 304 Stainless Steel
<b>Weight</b>	7.6kg [16.6lbs]
<b>Colour &amp; SKU</b>	Stainless Steel ESF.1.B.BK5
<b>Fuel Type</b>	e-NRG Bioethanol

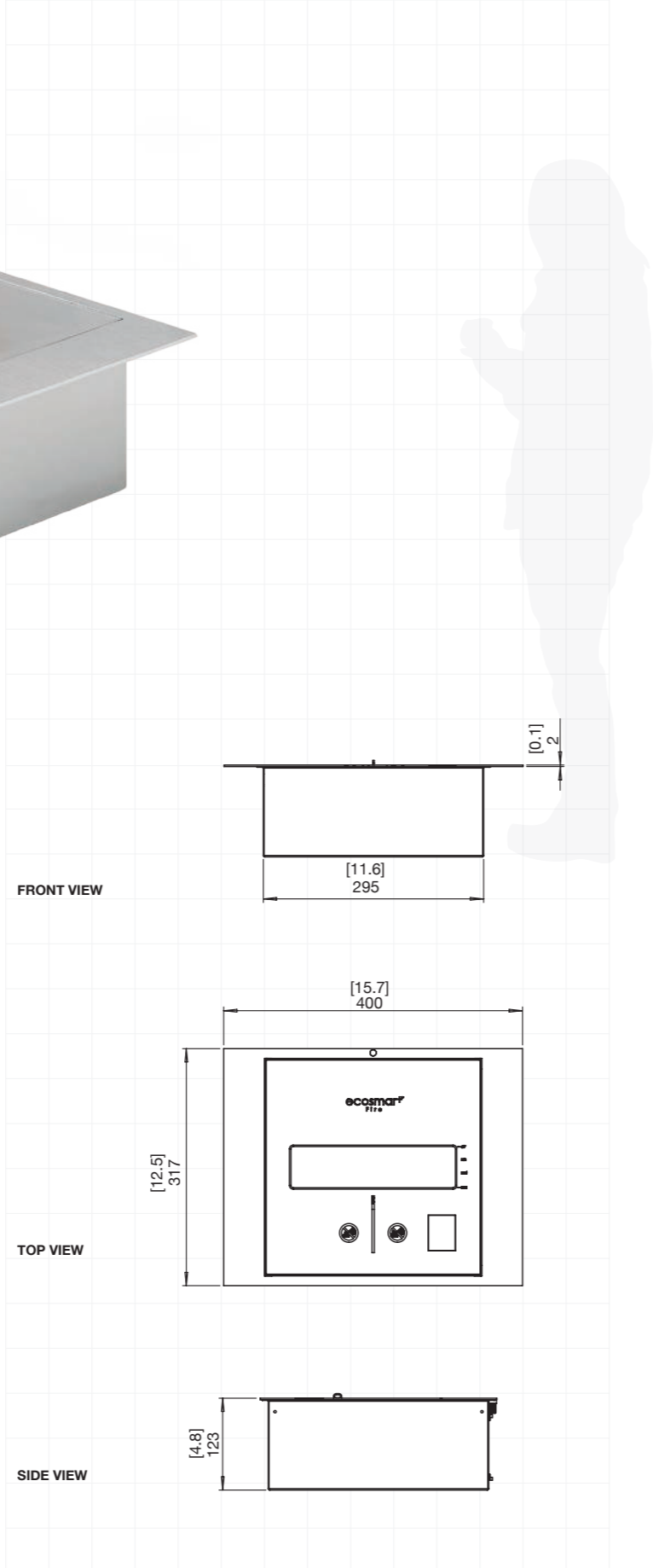
## BURNER VENTILATION & EFFICIENCY\*

<b>Fuel Capacity</b>	5 Litres [1.3 Gallons]
<b>Heats on Average</b> (when used indoors)	Over 35 square metres [376.7 square feet]
<b>Fuel Consumption</b>	0.64 L/h [0.17 Gal/h] on MAX
<b>Thermal Output Net (MAX)</b>	14 MJ/h - 13,000 BTU/h - 3.5 kW
<b>Burn Time</b>	7 - 11 hours (approx)
<b>Minimum Room Size</b>	70 cubic metres [2472 cubic feet] per fireplace.

Read the manual carefully before operating the burner. Physical model dimensions should be verified against cut out dimensions BEFORE installation begins to confirm tolerances align.

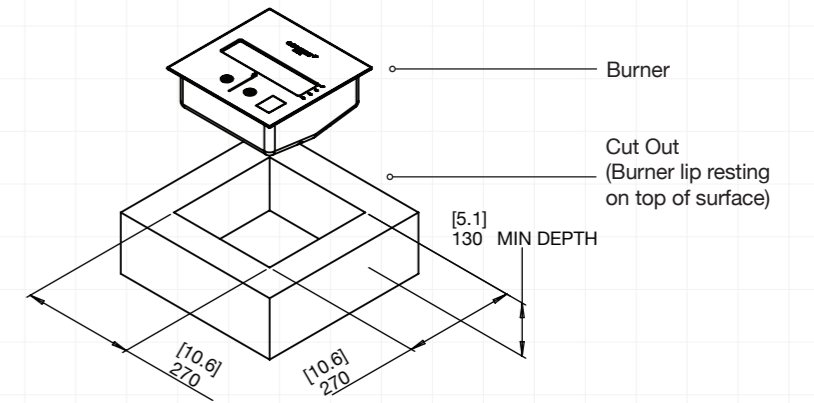
\* These values are indicative only and may vary depending on the model purchased, installation, and the seasonal resource used to manufacture e-NRG.

**Global Compliance**  
All burners are UL Listed in accordance with ANSI/UL1370 in the USA, Certified by BSI in accordance with EN16647, and comply with the ACCC Safety Mandate for Australia (except VB).

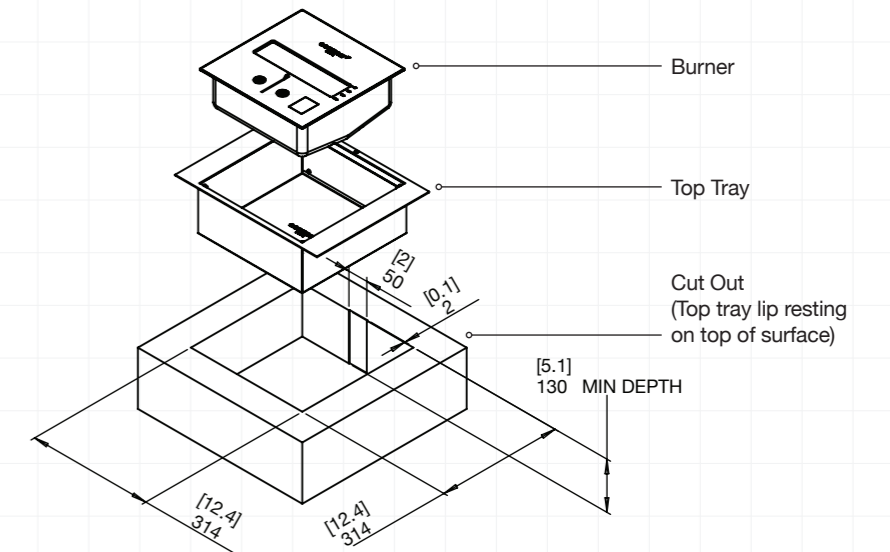
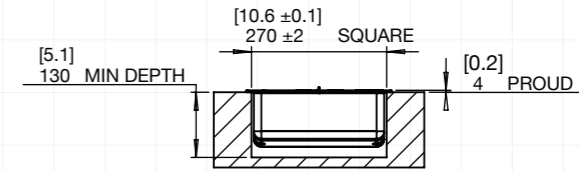


## BK5 CUT OUT DIMENSIONS

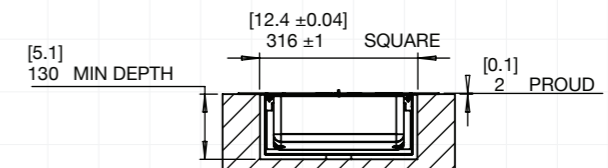
Physical model dimensions should be verified against cut out dimensions BEFORE installation begins to confirm tolerances align.



Burner WITHOUT Top Tray



Burner WITH Top Tray



# Built-in AB BURNER SERIES



Oswald Down South Home, Australia  
Model: AB8

ecosmart<sup>+</sup>  
Fire

Versatility and modern shape provide the ideal tool for individual fire designs – and the AB ethanol burners are at the heart of many EcoSmart outdoor fireplaces. A simple, elegant and powerfully effective stainless steel burner for residential and commercial applications.

#### Global Compliance

All burners are UL Listed in accordance with ANSI/UL1370 in the USA, Certified by BSI in accordance with EN16647, and comply with the ACCC Safety Mandate for Australia .

#### Consistent and Reliable

It's minimalist design and ability to withstand extreme heat result in consistent and reliable operation at all temperatures and permitted fuel levels.

#### Colour

Available in Stainless Steel and Black.



#### Efficiency Ring

The Efficiency Ring is placed over the internal burner vents when cold and not operating and serve to increase the efficiency of the burner as well as further stabilise the flame of the burner.

To comply with EN 16647 the Efficiency Ring must be installed before operating the burner.

#### Dual Function Lid

A simple lid is used to extinguish the flame and cover the burner opening when it is not in use. This prevents dust particles, leaf litter, rain and debris from falling into the 304 grade stainless steel tank, leaving it clean and safe for use year round.

#### Top Tray

The Top Tray protects against heat transference and aids in the collection of accidental spillage.

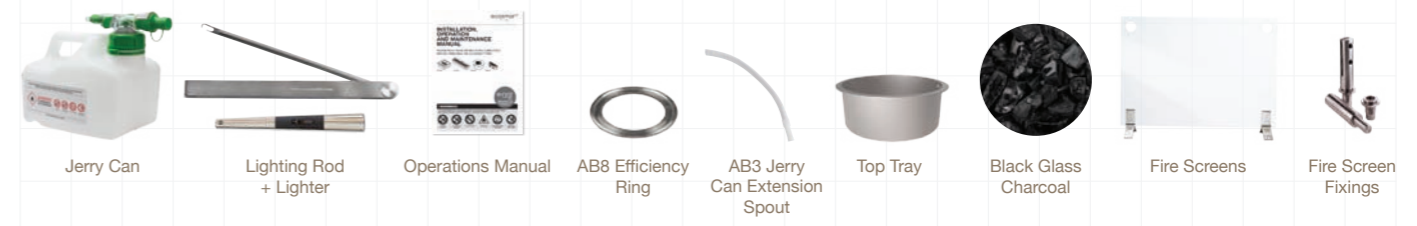
To comply with EN 16647 the Top Tray must be installed before operating the burner.

#### Dedicated Filling Point







A designated, in-built filling point to ensure the same procedures can be followed to decrease the likelihood of overfilling.

#### Included Accessories

#### Optional Accessories



# Built-in AB BURNER SERIES SPECIFICATIONS

BURNERS*	AB8	AB8 (EN) (with Efficiency Ring)	AB3
<b>Fuel Capacity</b>	8 Litres [2.1 Gallons]	8 Litres [2.1 Gallons]	2.5 Litres [0.7 Gallons]
<b>Heats on Average</b> (when used indoors)	Over 60 square metres [645 square feet]	Over 30 square metres [322.9 square feet]	Over 20 square metres [215 square feet]
<b>Fuel Consumption</b>	1.1 L/h [0.29 Gal/h]	0.7 L/h [0.18 Gal/h]	0.31 L/h [0.1 Gal/h]
<b>Thermal Output Net (MAX)</b>	21.56 MJ/h 20,433 BTU/h 5.99 kW	13.9 MJ/h 12,860 BTU/h 3.77 kW	6.14 MJ/h 5,800 BTU/h 1.7 kW
<b>Approx. Burn Time</b>	7 - 11 hours	9 - 11 hours	8 - 11 hours
<b>Minimum Room Size (per burner)</b>	116 cubic metres [4096 cubic feet]	116 cubic metres [4096 cubic feet]	40 cubic metres [1413 cubic feet]
<b>Included Accessories</b> Operational accessories designed for safe and ergonomic fire ignition and extinguishing	 AB8 Efficiency Ring		 AB3 Jerry Can Extension Spout
	    Jerry Can    Lighting Rod + Lighter    Operations Manual    Top Tray		

## COMPATIBLE FIRE PIT KITS

Round 20	• ^^#†	
Square 22	• ^^#†	

## COMPATIBLE FIREPLACE GRATES

Grate 18	• ^#†	
----------	-------	--

## COMPATIBLE FIREPLACE INSERTS

Flex 18		• ^#†
---------	--	-------

## COMPATIBLE FREESTANDING FIREPLACES

Ark 40, Base Series, Manhattan 50, Martini 50, Pod Series	• ^^#†	
Ghost		• ^#†
Mix 850	• #†	
Mini T, Mix 600, Stix		• #†

\* These values are indicative only and may vary depending on the model purchased, installation, and the seasonal resource used to manufacture e-NRG.

^ Model conforms to EN16647. ^^ Model conforms to EN16647 when configured with the Indoor Safety Tray.

# Model is a manufacturer approved surround for the compatible UL Listed Burner. † Model complies with ACCC.



AB8  
(Stainless Steel)



AB3  
(Black)

# AB8\*



<b>Application</b>	Indoor & Outdoor				
<b>Materials</b>	Grade 304 Stainless Steel, Black Ceramic Coat				
<b>Weight</b>	8.2kg [18.1lbs]				
<b>Colour &amp; SKU</b>	<table border="0"> <tr> <td><span style="display:inline-block; width:10px; height:10px; background-color:gray; border:1px solid black;"></span> Stainless Steel</td> <td>ESF.2.B.AB8.WTT</td> </tr> <tr> <td><span style="display:inline-block; width:10px; height:10px; background-color:black; border:1px solid black;"></span> Black</td> <td>ESF.2.B.AB8.WTT.BL</td> </tr> </table>	<span style="display:inline-block; width:10px; height:10px; background-color:gray; border:1px solid black;"></span> Stainless Steel	ESF.2.B.AB8.WTT	<span style="display:inline-block; width:10px; height:10px; background-color:black; border:1px solid black;"></span> Black	ESF.2.B.AB8.WTT.BL
<span style="display:inline-block; width:10px; height:10px; background-color:gray; border:1px solid black;"></span> Stainless Steel	ESF.2.B.AB8.WTT				
<span style="display:inline-block; width:10px; height:10px; background-color:black; border:1px solid black;"></span> Black	ESF.2.B.AB8.WTT.BL				
<b>Fuel Type</b>	e-NRG Bioethanol				

## BURNER VENTILATION & EFFICIENCY\*\*

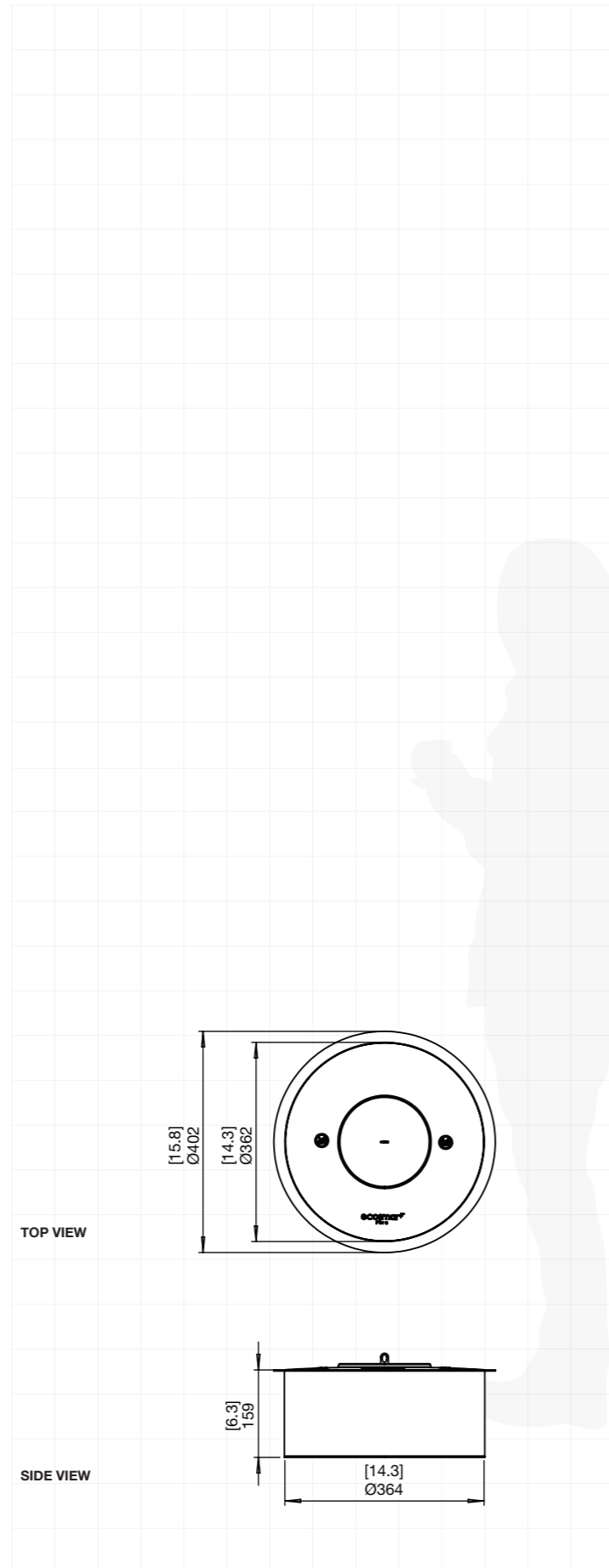
	Without Efficiency Ring	With Efficiency Ring (EN Compliant)
<b>Heats on Average</b> (when used indoors)	Over 60m <sup>2</sup> [645ft <sup>2</sup> ]	Over 30m <sup>2</sup> [322.9ft <sup>2</sup> ]
<b>Fuel Consumption</b>	1.1 L/h [0.29 Gal/h]	0.7 L/h [0.18 Gal/h]
<b>Thermal Output Net (MAX)</b>	21.56 MJ/h 20,433 BTU/h 5.99 kW	13.9 MJ/h 12,860 BTU/h 3.77kW
<b>Burn Time (approx)</b>	7 - 11 hours	9 - 11 hours
<b>Fuel Capacity</b>	8 Litres [2.1 Gallons]	
<b>Minimum Room Size</b>	116 cubic metres [4096 cubic feet] per fireplace.	

Read the manual carefully before operating the burner. Physical model dimensions should be verified against cut out dimensions BEFORE installation begins to confirm tolerances align.

\*To comply with EN 16647 the Efficiency Ring and Top Tray must be installed before operating the burner.

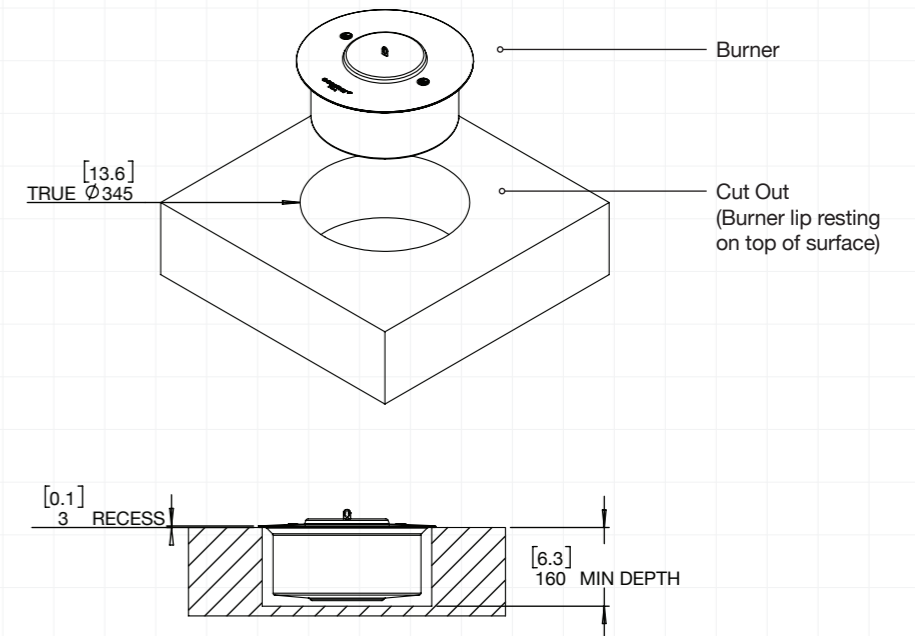
\*\*These values are indicative only and may vary depending on the model purchased, installation, and the seasonal resource used to manufacture e-NRG.

**Global Compliance**  
All burners are UL Listed in accordance with ANSI/UL1370 in the USA, Certified by BSI in accordance with EN16647, and comply with the ACCC Safety Mandate for Australia (except VB).

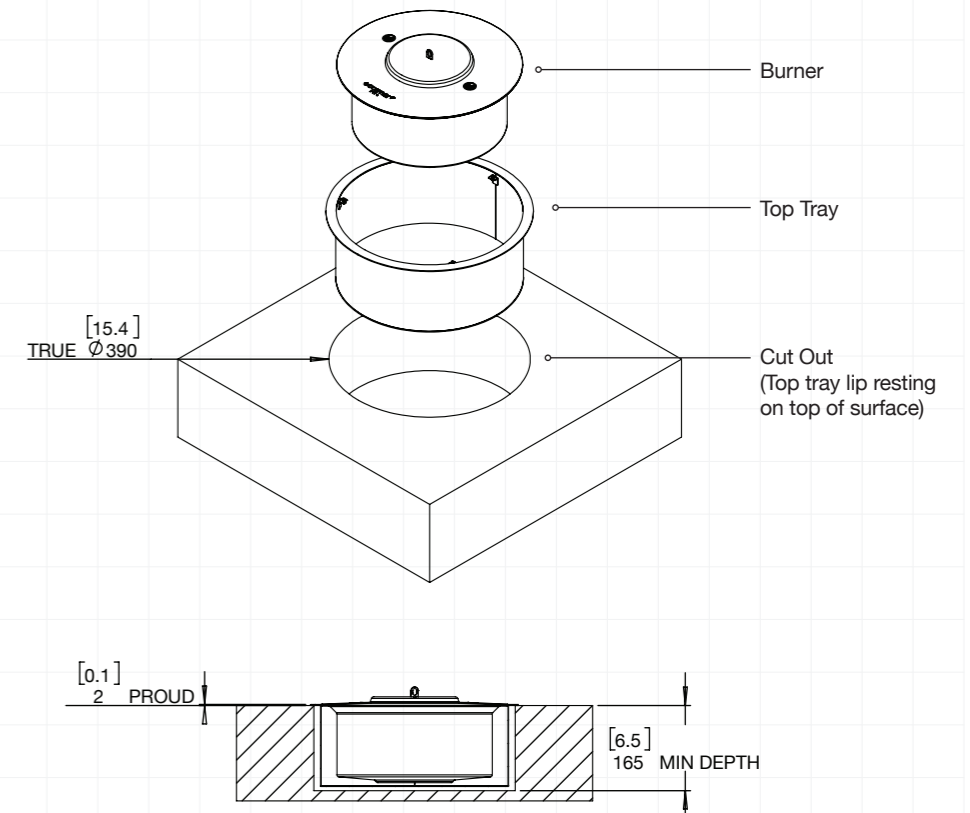


## AB8 CUT OUT DIMENSIONS

Physical model dimensions should be verified against cut out dimensions BEFORE installation begins to confirm tolerances align.



Burner WITHOUT Top Tray



Burner WITH Top Tray

# AB3



<b>Application</b>	Indoor & Outdoor				
<b>Materials</b>	Grade 304 Stainless Steel, Black Ceramic Coat				
<b>Weight</b>	3.7kg [8.1lbs]				
<b>Colour &amp; SKU</b>	<table border="0"> <tr> <td>■ Stainless Steel</td> <td>ESF.2.B.AB3.WTT</td> </tr> <tr> <td>■ Black</td> <td>ESF.2.B.AB3.WTT.BL</td> </tr> </table>	■ Stainless Steel	ESF.2.B.AB3.WTT	■ Black	ESF.2.B.AB3.WTT.BL
■ Stainless Steel	ESF.2.B.AB3.WTT				
■ Black	ESF.2.B.AB3.WTT.BL				
<b>Fuel Type</b>	e-NRG Bioethanol				

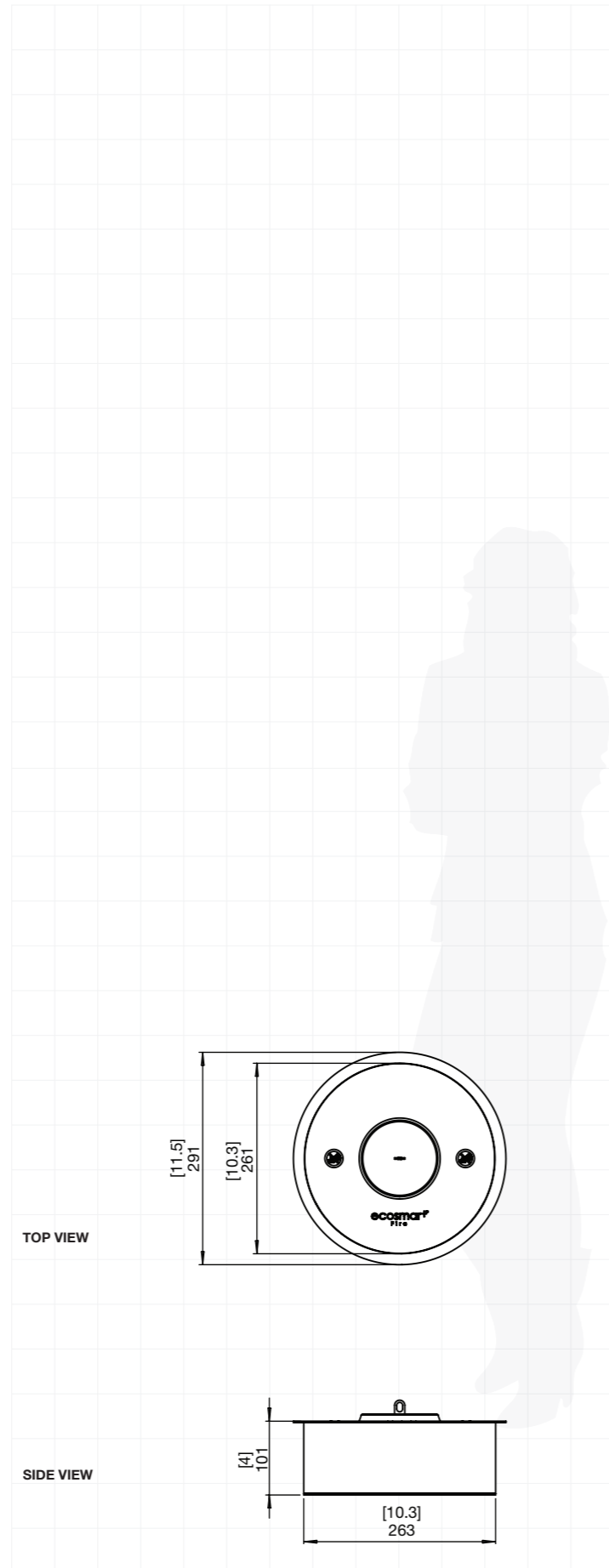
### BURNER VENTILATION & EFFICIENCY\*

<b>Fuel Capacity</b>	2.5 Litres [0.7 Gallons]
<b>Heats on Average</b> (when used indoors)	Over 20 square metres [215 square feet]
<b>Fuel Consumption</b>	0.31 L/h [0.1 Gal/h]
<b>Thermal Output Net (MAX)</b>	6.14 MJ/h - 5,800 BTU/h - 1.7 kW
<b>Burn Time</b>	8 - 11 hours (approx)
<b>Minimum Room Size</b>	40 cubic metres [1413 cubic feet] per fireplace.

Read the manual carefully before operating the burner. Physical model dimensions should be verified against cut out dimensions BEFORE installation begins to confirm tolerances align.

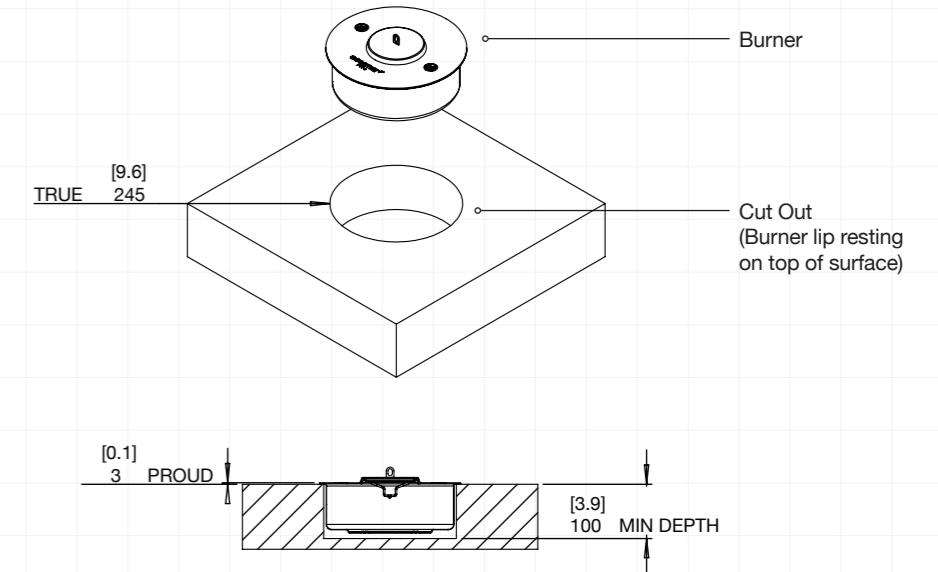
\* These values are indicative only and may vary depending on the model purchased, installation, and the seasonal resource used to manufacture e-NRG.

**Global Compliance**  
All burners are UL Listed in accordance with ANSI/UL1370 in the USA, Certified by BSI in accordance with EN16647, and comply with the ACCC Safety Mandate for Australia (except VB).

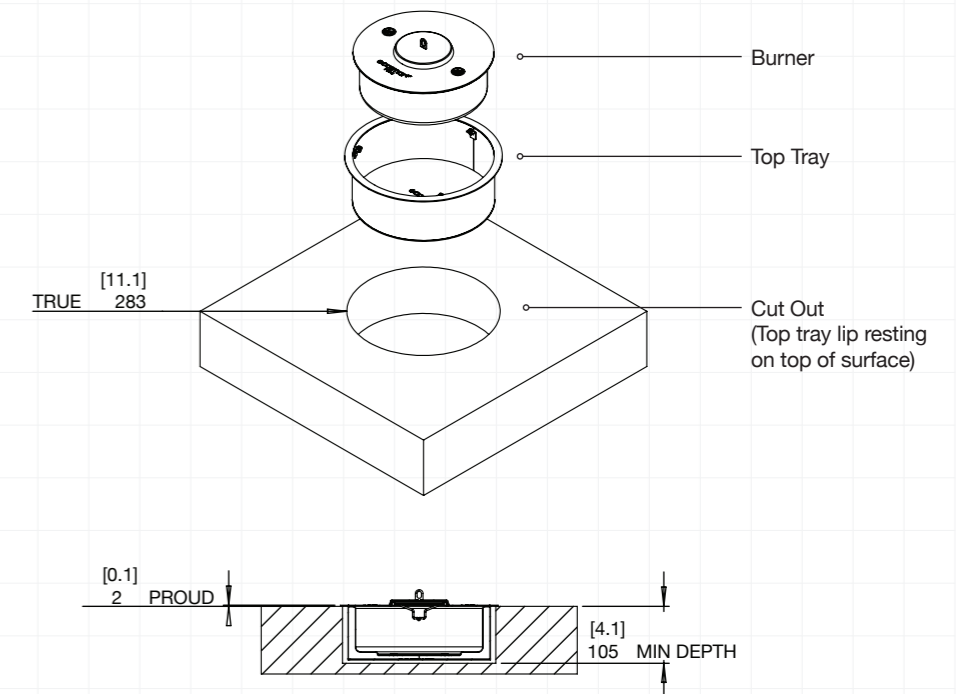


## AB3 CUT OUT DIMENSIONS

Physical model dimensions should be verified against cut out dimensions BEFORE installation begins to confirm tolerances align.



Burner WITHOUT Top Tray



Burner WITH Top Tray



# Built-in VB BURNER SERIES



Whether an Edwardian, Federation, Art Deco or Art Nouveau fireplace, the VB2 has been designed to be easily integrated into existing fireplaces. The minimalist design mean you can easily convert an older style fireplace into a clean-burning bioethanol fire.

#### Dedicated Filling Point

A designated, inbuilt filling point to ensure the same procedures can be followed to decrease the likelihood of overfilling.

#### Accessory Exclusion Zone

Elevated lip around the burner mouth that stops accessories from sitting over the flame or blocking the shut off procedure. This raised lip includes air holes that allows air to flow smoothly around the fuel to achieve a better flame within the setting.

#### Fuel Efficiency

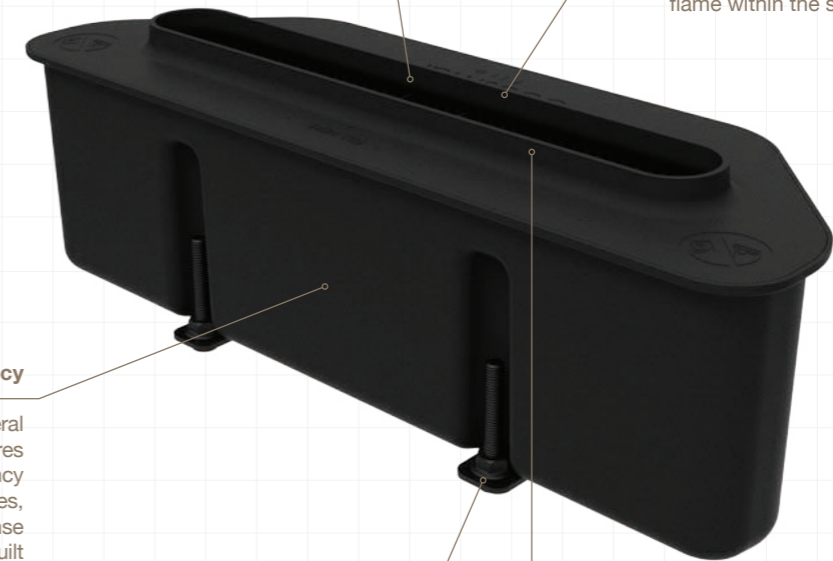
The burner has several layers of internal features that increases its efficiency including vertical baffles, aspiration vents and dense padding - all of which is built to last a lifetime.

#### Height Adjustable

Adjustable feet level and lift the burner to the best setting depending on the depth of the grill it's being placed within.

#### Dual Purpose Lid

A simple lid is used to extinguish the flame and cover the burner opening when it is not in use. This prevents dust from falling into the tank, leaving it clean and safe for use year round.



#### Included Accessories



Jerry Can



Lighting Rod + Lighter



Operations Manual




Black Glass Charcoal



Fire Screens

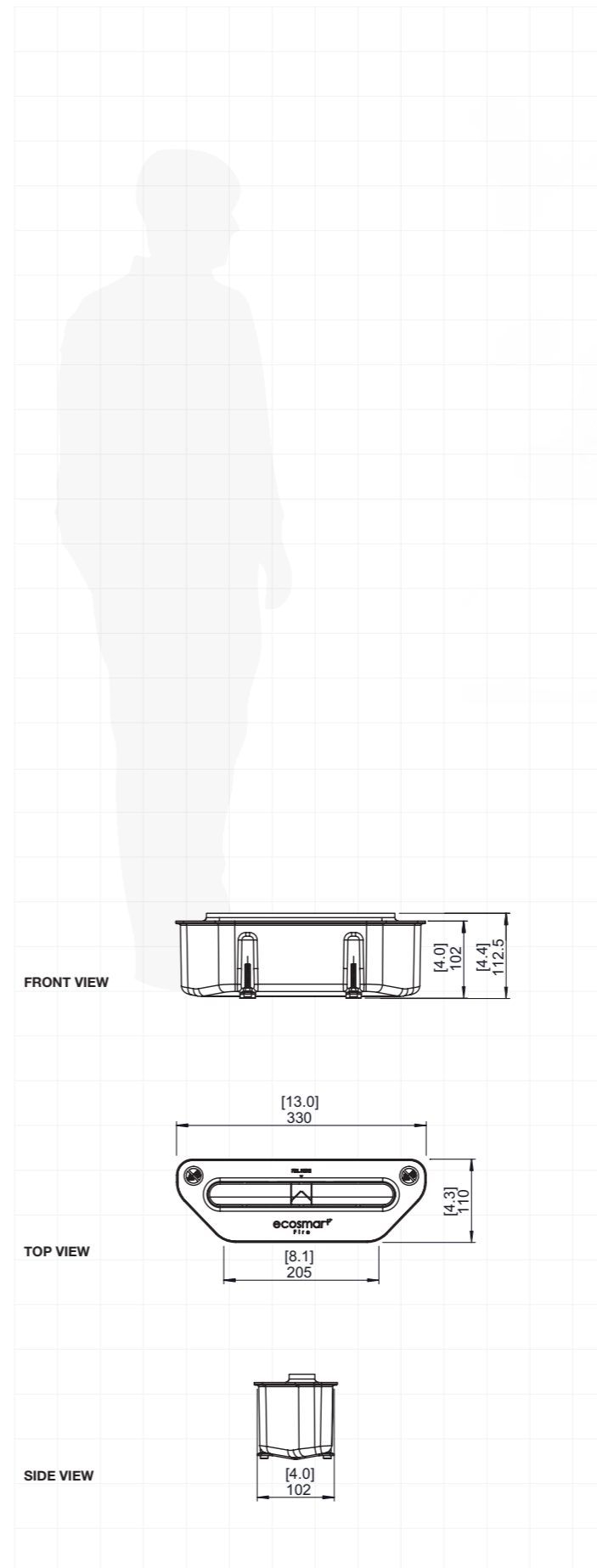
#### Optional Accessories

# Built-in VB BURNER SPECIFICATIONS

BURNER*	VB2
Fuel Capacity	2 Litres [0.5 Gallons]
Heats on Average (when used indoors)	Over 15 square metres [161 square feet]
Fuel Consumption	0.5 L/h [0.13 Gal/h]
Thermal Output Net (MAX)	7.24 MJ/h 6,180 BTU/h 2.5 kW
Approx. Burn Time	6 hours
Minimum Room Size (per burner)	45 cubic metres [1589 cubic feet]
Included Accessories Operational accessories designed for safe and ergonomic fire ignition and extinguishing	   <p>Jerry Can      Lighting Rod + Lighter      Operations Manual</p>

\* These values are indicative only and may vary depending on the model purchased, installation, and the seasonal resource used to manufacture e-NRG.

## VB2



Application	Indoor
Materials	Mild Steel
Weight	3.8kg [8.4lbs]
Colour & SKU	Black Powder-Coat      ESF.1.B.VB2
Fuel Type	e-NRG Bioethanol

### BURNER VENTILATION & EFFICIENCY\*

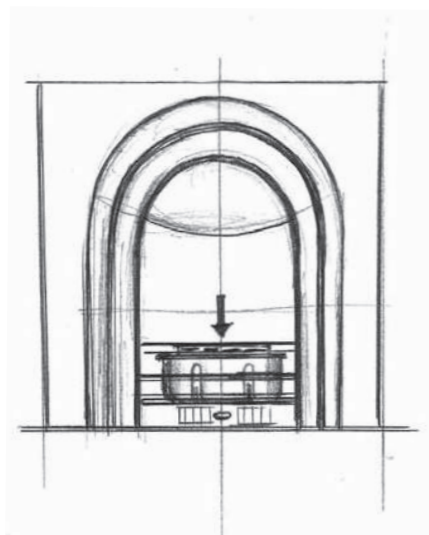
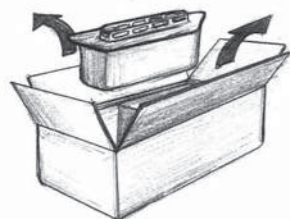
Fuel Capacity	2 Litres [0.5 Gallons]
Heats on Average	Over 15 square metres [161 square feet]
Fuel Consumption	0.5 L/h [0.13 Gal/h]
Thermal Output Net (MAX)	7.24 MJ/h - 6,180 BTU/h - 2.5 kW
Burn Time	6 hours (approx)
Minimum Room Size	45 cubic metres [1589 cubic feet] per fireplace.

Read the manual carefully before operating the burner.

\* These values are indicative only and may vary depending on the model purchased, installation, and the seasonal resource used to manufacture e-NRG.

A size template is available to test the burner fits the setting.

Unpack, put in  
position and enjoy.



# ABOUT

# e-NRG BIOETHANOL FUEL



Achieving a beautiful, vibrant flame in your bioethanol fireplace is easy when you use the right fuel.



### Lowest Odour

We use only the highest quality ingredients for the cleanest experience.



### Best Flame

e-NRG is specifically formulated to produce a vibrant orange flame.



### Safety First

e-NRG bottles are fitted with a flame arrester and supported by an operational procedure to ensure it's used in the safest way.

Our bottles are fitted with a flame arrester for safe re-filling.



### Clean Burning

Lose the chimney and the flue and keep the heat in - no smoke, no soot, no ash.

### Fast Refilling

e-NRG bottles pour 8x faster than the competition.



### Longest Burn Time

Tested against a multitude of formulas to ensure it burns for the longest time.

### Order Online

Conveniently delivered to your door.



### e-NRG

e-NRG is defining some of the most beautiful bioethanol fire installations across the globe.

[e-nrg.com](http://e-nrg.com)



# AROUND THE WORLD



EcoSmart Fire works with an extensive network of representatives around the world. If you can't find who you are looking for, or someone close to you, visit [ecosmartfire.com](https://ecosmartfire.com)

ECOSMART FIRE IS DESIGNED AND MANUFACTURED BY MAD DESIGN GROUP.

Interested in representing or retailing EcoSmart Fire in your country?  
Contact your local distributor or our Head Office today.

Reproduction of this catalogue in any manner, in any language, in whole or in part without prior written permission is prohibited. MAD Design Group reserves the right to correct any errors or misprints. All product specifications and data are subject to change without notice and believed to be correct at the time of publication. MAD Design Group, its affiliates, agents, and employees, and all persons acting on its or their behalf (collectively, "MAD Design Group"), disclaim any and all liability for any errors, inaccuracies or incompleteness contained herein or in any other disclosure relating to any product. MAD Design Group disclaims any and all liability arising out of the use or application of any product described herein or of any information provided herein to the maximum extent permitted by law. The product specifications do not expand or otherwise modify MAD Design Group's terms and conditions of purchase, including but not limited to the warranty expressed therein, which apply to these products. No license, express or implied, by estoppel or otherwise, to any intellectual property rights is granted by this document or by any conduct of MAD Design Group. Customers using or selling MAD Design Group products not expressly indicated for use in such applications do so entirely at their own risk and agree to fully indemnify MAD Design Group for any damages arising or resulting from such use or sale. Please contact authorised personnel from MAD Design Group to obtain written terms and conditions regarding products designed for such applications. International Patent Pending – Trademarks Pending – All Designs Registered. V0220

ECO  
SMART  
FIRE  
.COM

ecosmar<sup>+</sup>  
Fire