

DISCOVER THE FIREPLACE OF YOUR DREAMS!

TECHNICAL SPECIFICATIONS

ELECTRIC FIRES



ELEMENT





A FIREPLACE THAT MATCHES YOUR DNA

"At Element4 we have a clear ambition: to make the impossible come true. We love to think outside of the box. This results in a wide range of innovative fireplaces with powerful designs and beautiful flame pictures. It is precisely this combination that ensures that our brand is loved worldwide by design enthusiasts and architects alike.

Our promise? A fireplace with great features that will enhance any interior. We hope that this brochure will convince you of that too."

A handwritten signature in black ink, appearing to read 'Jan Kempers', with a long horizontal line extending from the end of the signature.

Jan Kempers
CEO and Founder

TABLE OF CONTENTS

| Fireplace | Specifications |
|---------------------------------------------|----------------|
| Electric fireplace See-through | |
| LUMINA 150T E | PAGE 4 |
| Electric fireplace Stove | |
| ELITE JUNIOR E | PAGE 5 |
| CLUB OVATION E | PAGE 6 |
| CLUB KUDOS E | PAGE 7 |
| Electric fireplace Front | |
| ELITE 60 I E | PAGE 8 |
| Electric fireplace 3-sided / Front / Corner | |
| CLUB 50 E | PAGE 9 |
| CLUB 80H E | PAGE 10 |
| CLUB 100 E | PAGE 11 |
| CLUB 125 E | PAGE 12 |
| CLUB 150 E | PAGE 13 |
| CLUB 180 E | PAGE 14 |
| CLUB 240 E | PAGE 15 |
| AMBIANCE 125 E | PAGE 16 |
| ELITE 80 HE | PAGE 17 |
| ELITE 100 E | PAGE 18 |
| ELITE 125 E | PAGE 19 |
| ELITE 150 E | PAGE 20 |
| ELITE 180 E | PAGE 21 |

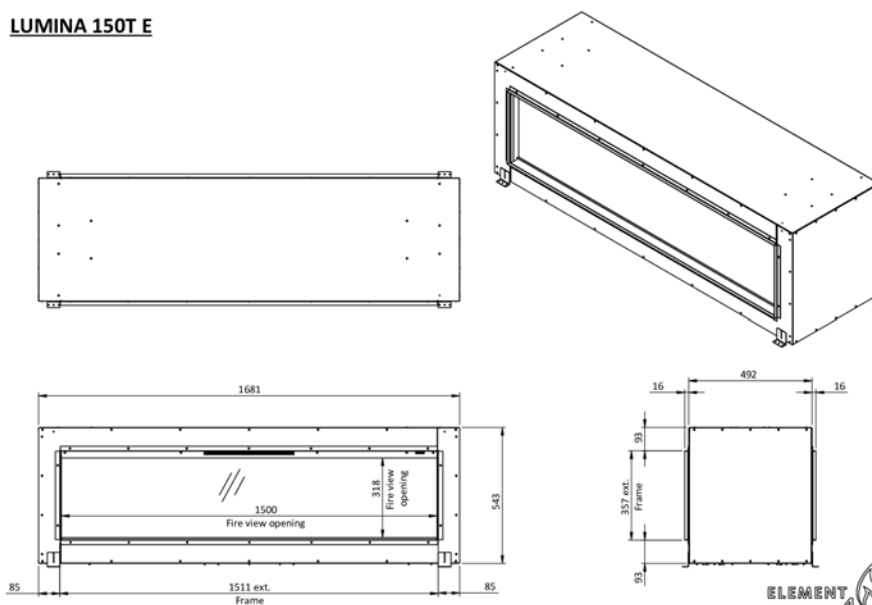


Electric fireplace

LUMINA 150T E

| | |
|------------------|------------|
| Ultra HD effect: | Standard |
| Heat outputs: | 1,5 kW |
| Black steel: | (Standard) |
| Remote control: | (Standard) |

LUMINA 150T E



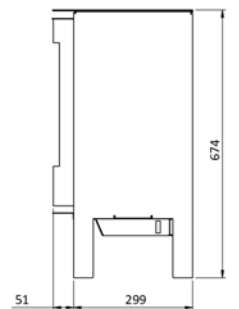
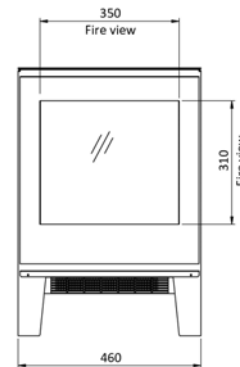
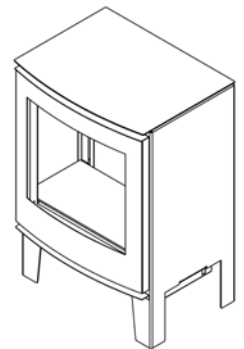


Electric fireplace

ELITE JUNIOR E

| | |
|------------------|------------|
| Ultra HD effect: | Standard |
| Heat outputs: | 1,5 kW |
| Remote control: | (Standard) |

ELITE JUNIOR E



ELEMENT 



Electric fireplace

CLUB OVATION E

Single burner

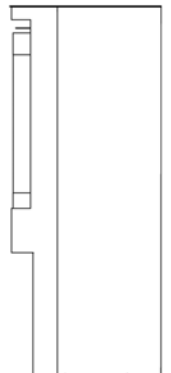
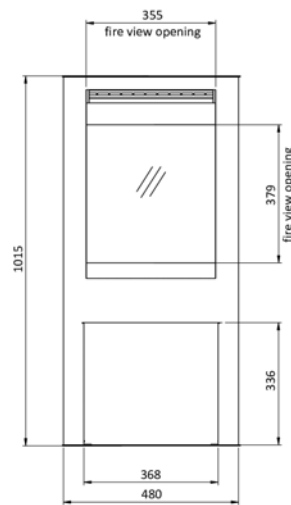
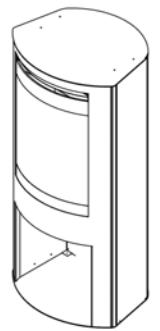
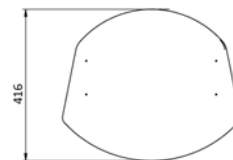
Ultra HD effect:

Standard

Heat outputs:

1,2 kW

CLUB OVATION E



ELEMENT 



Electric fireplace

CLUB KUDOS E

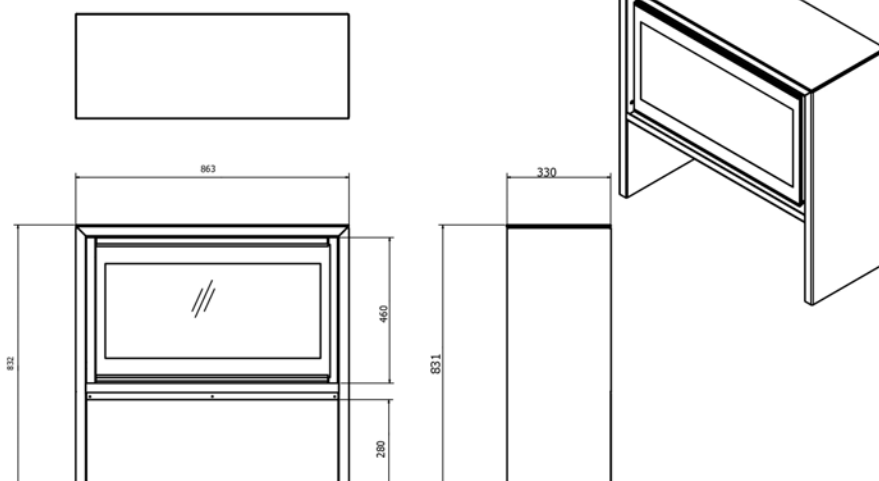
Ultra HD effect:

Standard

Heat outputs:

1,5 kW

CLUB KUDOS E

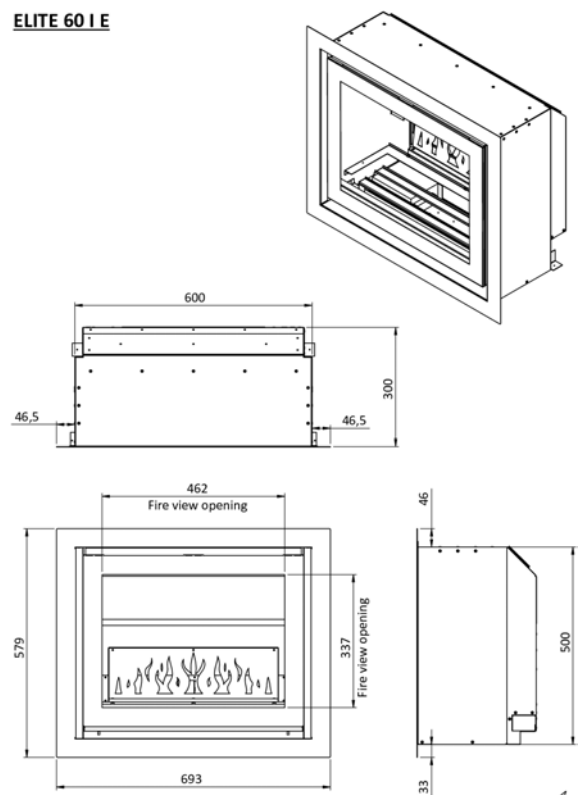




Electric fireplace
ELITE 60 I E

| | |
|------------------|------------|
| Ultra HD effect: | Standard |
| Heat outputs: | 1,5 kW |
| Remote control: | (Standard) |

ELITE 60 I E





Electric fireplace
CLUB 50 E

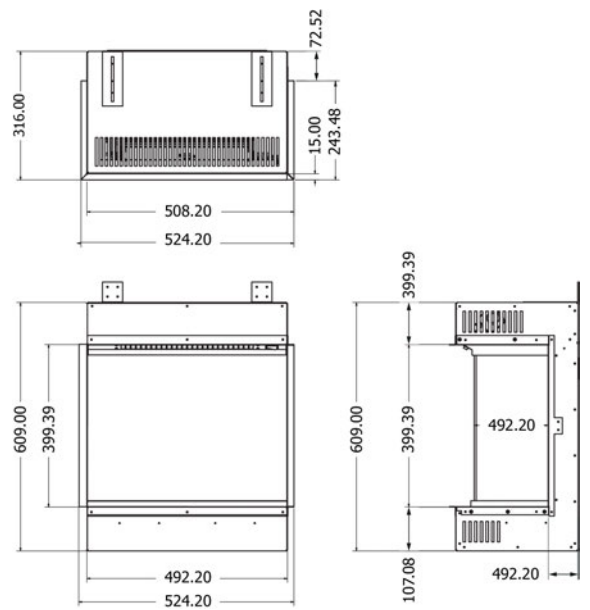
Single burner

Ultra HD effect:

Standard

Heat outputs:

1,5 kW





Electric fireplace
CLUB 80H E

Single burner

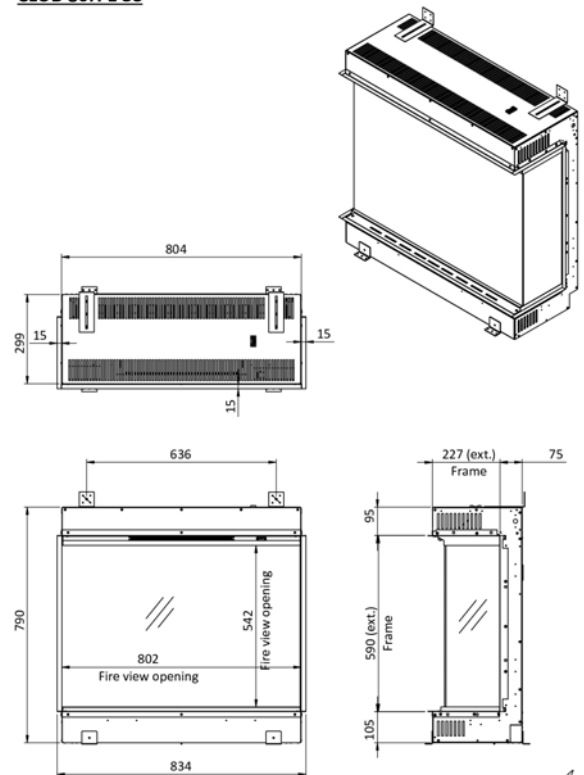
Ultra HD effect:

Standard

Heat outputs:

1,5 kW

CLUB 80H E 3S





Electric fireplace

CLUB 100 E

Single burner

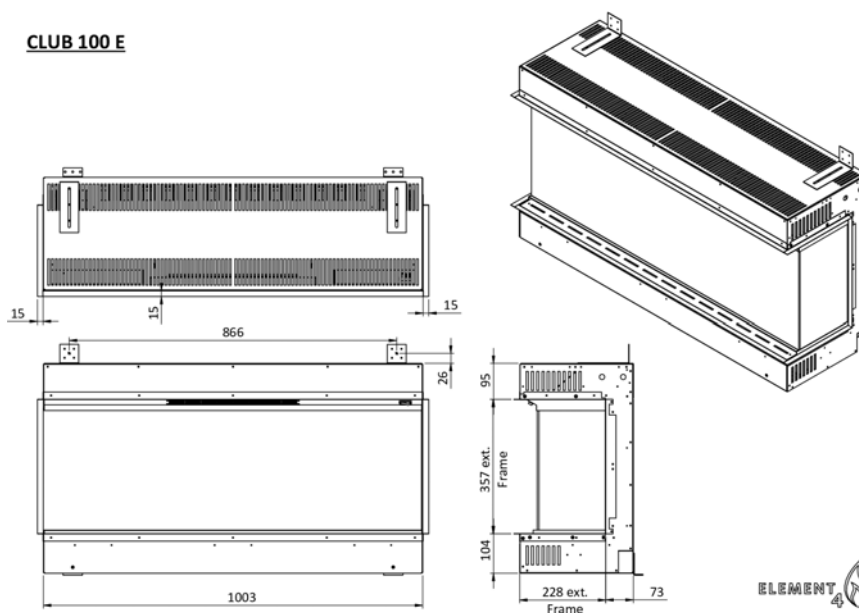
Ultra HD effect:

Standard

Heat outputs:

1,5 kW

CLUB 100 E





Electric fireplace

CLUB 125 E

Single burner

Ultra HD effect:

Standard

Heat outputs:

1,5 kW

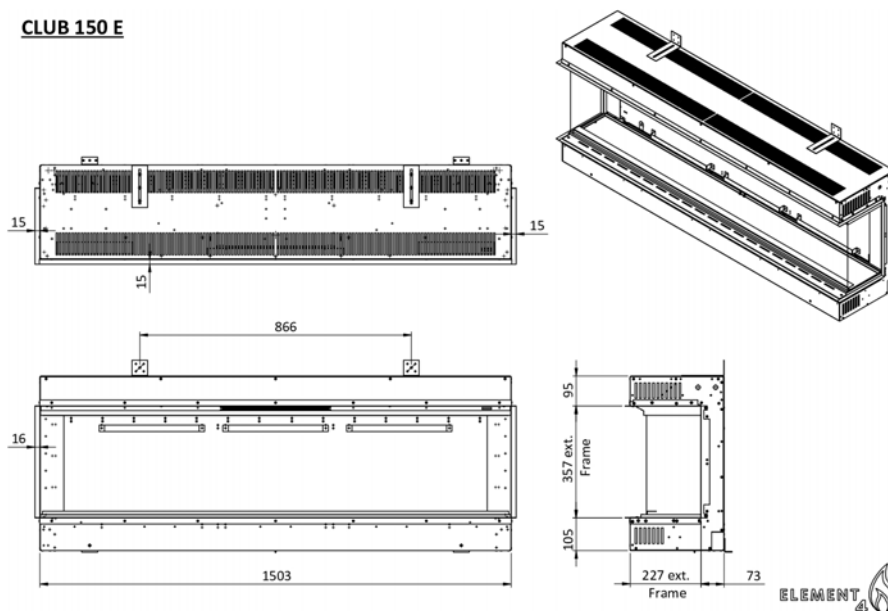


Electric fireplace
CLUB 150 E

Single burner

Ultra HD effect: Standard
 Heat outputs: 1,5 kW

CLUB 150 E





Electric fireplace
CLUB 180 E

Single burner

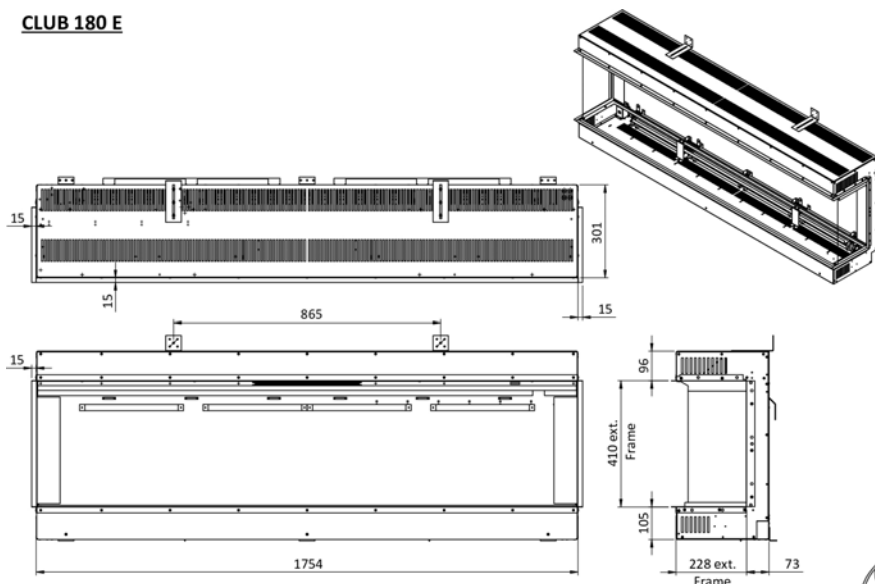
Ultra HD effect:

Standard

Heat outputs:

1,5 kW

CLUB 180 E





Electric fireplace

CLUB 240 E

Single burner

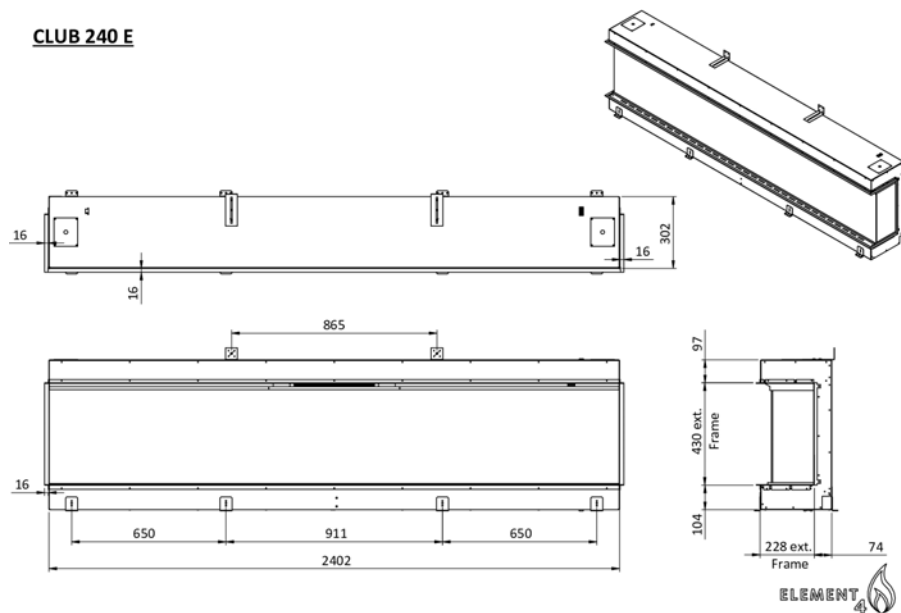
Ultra HD effect:

Standard

Heat outputs:

1,5 kW

CLUB 240 E





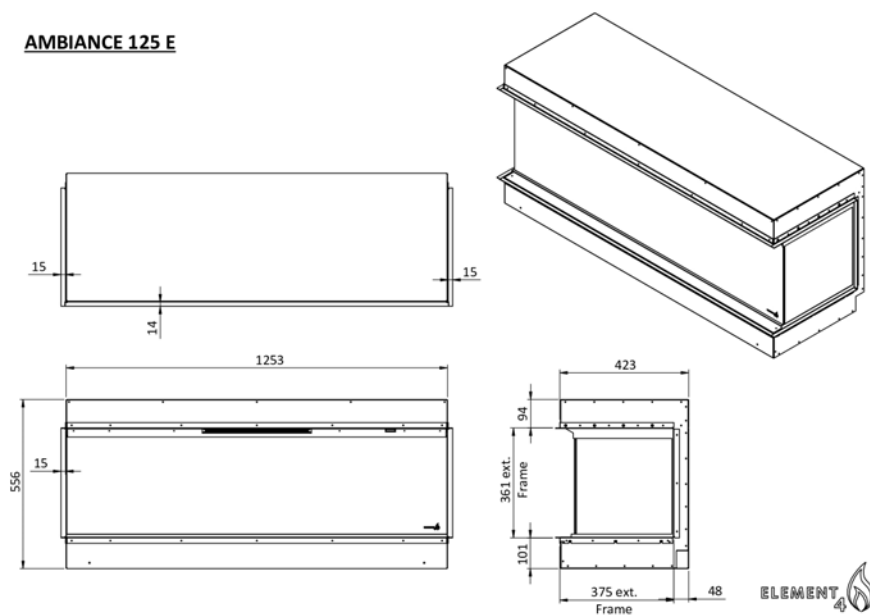
Electric fireplace

AMBIANCE 125 E

| | |
|------------------|----------|
| Ultra HD effect: | Standard |
| Heat outputs: | 1,5 kW |

| | |
|-------------------------------|------------|
| Remote control: | (Standard) |
| Operation via app - wifi kit: | (Optional) |

AMBIANCE 125 E

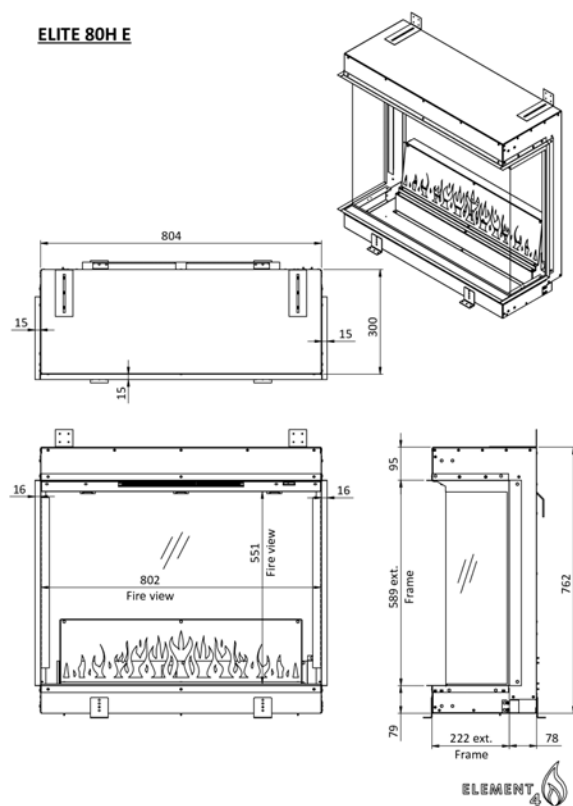




Electric fireplace
ELITE 80 HE

| | |
|------------------|------------|
| Ultra HD effect: | Standard |
| Heat outputs: | 1,5 kW |
| Remote control: | (Standard) |

ELITE 80H E

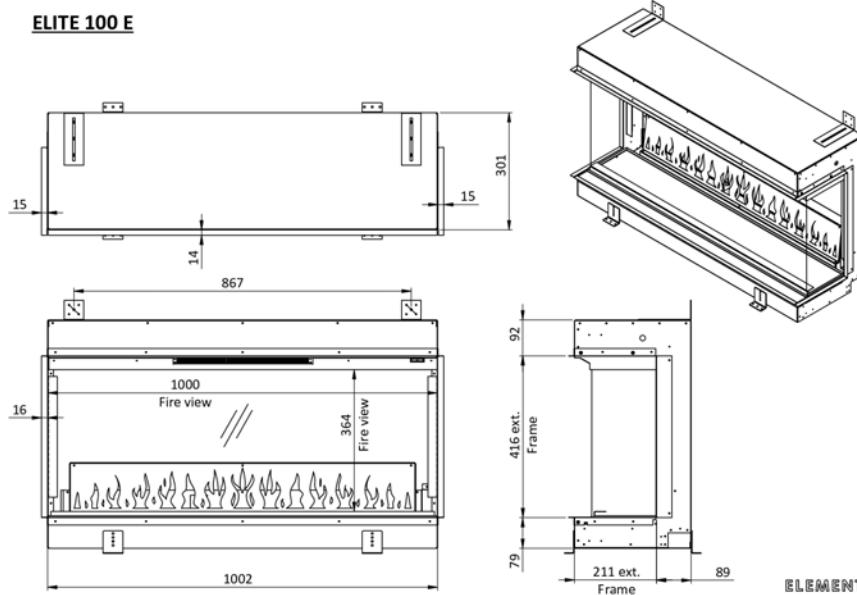




Electric fireplace
ELITE 100 E

Ultra HD effect:
 Heat outputs:

Standard
 1,5 kW

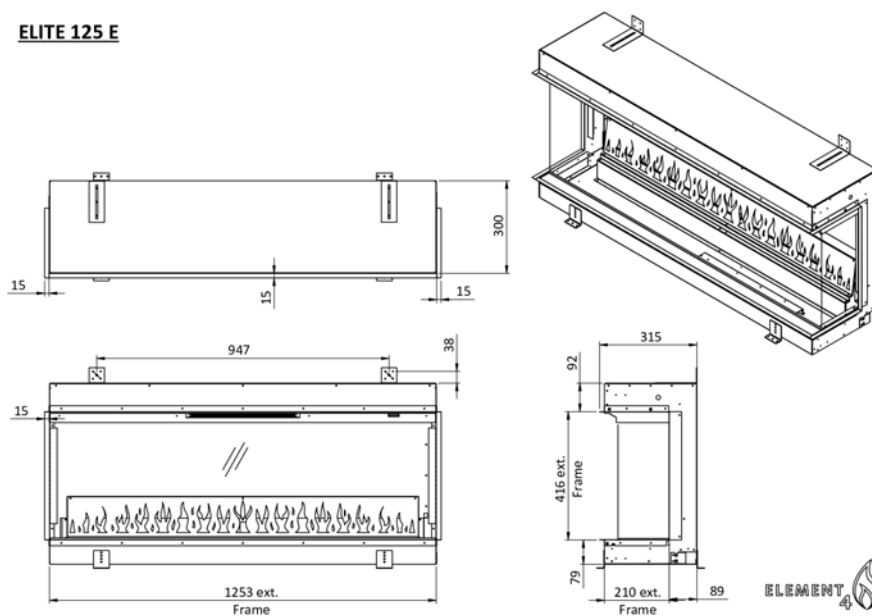




Electric fireplace
ELITE 125 E

Ultra HD effect: Standard
 Heat outputs: 1,5 kW

ELITE 125 E

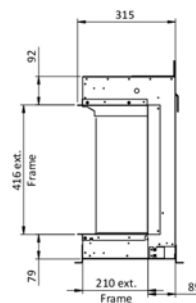
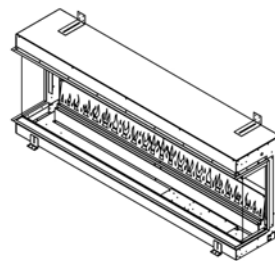
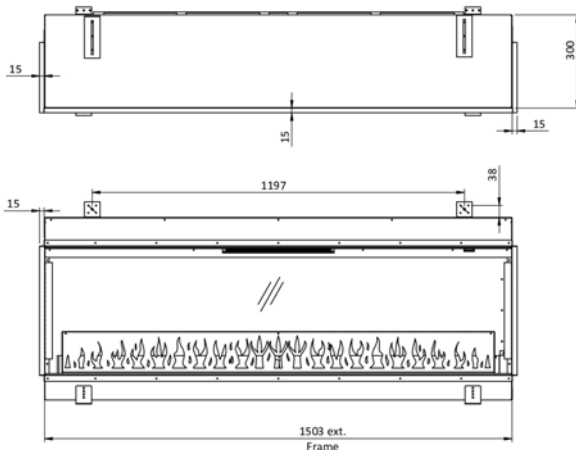




Electric fireplace
ELITE 150 E

Ultra HD effect: Standard
 Heat outputs: 1,5 kW

ELITE 150 E





Electric fireplace
ELITE 180 E

Ultra HD effect:

Standard

Heat outputs:

1,5 kW

**AN EXTRAORDINARY INTERIOR NEEDS A
FIREPLACE FROM ELEMENT4**



ELEMENT
4 

