

DISCOVER THE FIREPLACE OF YOUR DREAMS!

# TECHNICAL SPECIFICATIONS

## GAS FIRES



ELEMENT

4





## A FIREPLACE THAT MATCHES YOUR DNA

"At Element4 we have a clear ambition: to make the impossible come true. We love to think outside of the box. This results in a wide range of innovative fireplaces with powerful designs and beautiful flame pictures. It is precisely this combination that ensures that our brand is loved worldwide by design enthusiasts and architects alike.

Our promise? A fireplace with great features that will enhance any interior. We hope that this brochure will convince you of that too."

A handwritten signature in black ink, appearing to read 'Jan Kempers', with a long horizontal line extending from the end of the signature.

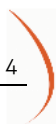
**Jan Kempers**  
CEO and Founder

# TABLE OF CONTENTS

Fireplace	Specifications
Gasfire Front	
<b>CUPIDO 50</b>	<b>PAGE 6</b>
<b>CUPIDO 60 CF</b>	<b>PAGE 7</b>
<b>CUPIDO 70 CF</b>	<b>PAGE 8</b>
<b>CUPIDO 70</b>	<b>PAGE 9</b>
<b>SUMMUM 70 F</b>	<b>PAGE 10</b>
<b>MODORE 100</b>	<b>PAGE 11</b>
<b>SUMMUM 100 F</b>	<b>PAGE 12</b>
<b>MODORE 140</b>	<b>PAGE 13</b>
<b>SUMMUM 140 F</b>	<b>PAGE 14</b>
<b>MODORE 140 OUTDOOR</b>	<b>PAGE 15</b>
<b>MODORE 185</b>	<b>PAGE 16</b>
<b>SUMMUM 190 F</b>	<b>PAGE 17</b>
<b>MODORE 240</b>	<b>PAGE 18</b>
<b>SKY SMALL FRONT</b>	<b>PAGE 19</b>
<b>SKY SMALL FRONT OUTDOOR</b>	<b>PAGE 20</b>
<b>SKY MEDIUM FRONT</b>	<b>PAGE 21</b>
<b>SKY MEDIUM FRONT OUTDOOR</b>	<b>PAGE 22</b>
<b>SKY LARGE FRONT</b>	<b>PAGE 23</b>
<b>SKY LARGE FRONT OUTDOOR</b>	<b>PAGE 24</b>
Gasfire See-through	
<b>TENORE 140</b>	<b>PAGE 25</b>

# TABLE OF CONTENTS

Fireplace	Specifications
Gasfire See-through	
<b>SUMMUM 140 T</b>	<b>PAGE 26</b>
<b>TENORE 240</b>	<b>PAGE 27</b>
<b>SKY SMALL TUNNEL</b>	<b>PAGE 28</b>
<b>SKY SMALL TUNNEL OUTDOOR</b>	<b>PAGE 29</b>
<b>SKY MEDIUM TUNNEL</b>	<b>PAGE 30</b>
<b>SKY MEDIUM TUNNEL OUTDOOR</b>	<b>PAGE 31</b>
<b>SKY LARGE TUNNEL</b>	<b>PAGE 32</b>
<b>SKY LARGE TUNNEL OUTDOOR</b>	<b>PAGE 33</b>
Gasfire 3-sided	
<b>SUMMUM 70 3/S</b>	<b>PAGE 34</b>
<b>TRISORE 100</b>	<b>PAGE 35</b>
<b>SUMMUM 100 3/S</b>	<b>PAGE 36</b>
<b>TRISORE 140</b>	<b>PAGE 37</b>
<b>SUMMUM 140 3S</b>	<b>PAGE 38</b>
<b>SUMMUM 190 3S</b>	<b>PAGE 39</b>
Gasfire Corner	
<b>SUMMUM 70 C</b>	<b>PAGE 40</b>
<b>BIDORE 100</b>	<b>PAGE 41</b>
<b>SUMMUM 100 C</b>	<b>PAGE 42</b>
<b>BIDORE 140</b>	<b>PAGE 43</b>
<b>SUMMUM 140 C</b>	<b>PAGE 44</b>
<b>SUMMUM 190 C</b>	<b>PAGE 45</b>



# TABLE OF CONTENTS

Fireplace	Specifications
Gasfire Room divider	
<b>LUCIUS 140</b>	<b>PAGE 46</b>
<b>SUMMUM 140 RD</b>	<b>PAGE 47</b>
<b>SKY SMALL ROOMDIVIDER</b>	<b>PAGE 48</b>
<b>SKY MEDIUM ROOMDIVIDER</b>	<b>PAGE 49</b>
<b>SKY LARGE ROOM DIVIDER</b>	<b>PAGE 50</b>
Gasfire 4-sided	
<b>SUMMUM 140 4/S</b>	<b>PAGE 51</b>
<b>ARCHITECT SERIES</b>	<b>PAGE 52</b>
Gasfire Stove	
<b>KUDOS</b>	<b>PAGE 53</b>
<b>OVATION</b>	<b>PAGE 54</b>





Gasfire

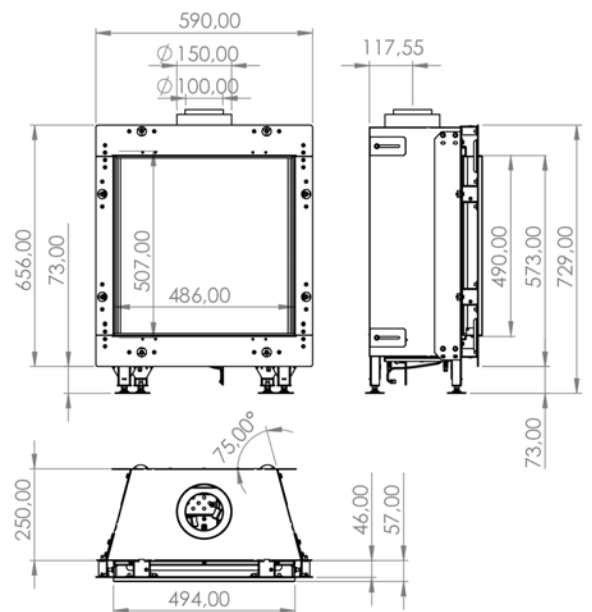
## CUPIDO 50

Real Flame Burner S	
Net natural gas capacity (min-max) G25:	2,0 - 7,0 kW
Net natural gas capacity (min-max) G20:	2,1 - 7,8 kW
Net propane capacity (min-max) G31:	1,8 - 7,9 kW
Efficiency:	88%

Energy efficiency class:	B
Venting $\varnothing$ (mm):	150/100

Black steel:	(Standard)
Black reflective panels:	(Optional)

Connect to home automation:	(Optional)
Operation via app - wifi kit:	(Optional)
Powerfan:	(Optional)
Anti-reflective glass:	(Optional)
Access door:	(Optional)
Remote control:	(Standard)
Convection grills built-in and surface-mounted:	(Optional)

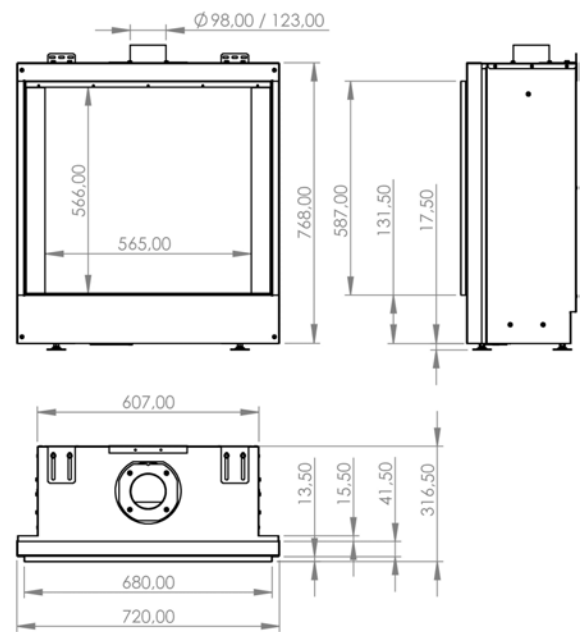




Gasfire

## CUPIDO 60 CF

Real Flame Burner S	
Net natural gas capacity (min-max) G25:	1,6 - 4,8 kW
Net natural gas capacity (min-max) G20:	1,8 - 5,3 kW
Net propane capacity (min-max) G31:	1,8 - 5,3 kW
Efficiency:	80%
<hr/>	
Energy efficiency class:	C
Venting $\varnothing$ (mm):	100 of 125
<hr/>	
Black steel:	(Standard)
Black reflective panels:	(Optional)
<hr/>	
Connect to home automation:	(Optional)
Operation via app - wifi kit:	(Optional)
Anti-reflective glass:	(Optional)
Access door:	(Optional)
Remote control:	(Standard)
Convection grills built-in and surface-mounted:	(Optional)





*Gasfire*

## CUPIDO 70 CF

Real Flame Burner S

Net natural gas capacity (min-max) G25: 1,6 - 4,8 kW

Net natural gas capacity (min-max) G20: 1,8 - 5,3 kW

Net propane capacity (min-max) G31: 1,8 - 5,3 kW

Efficiency: 80%

Energy efficiency class: C

Venting  $\varnothing$  (mm): 100 of 125

Black steel: (Standard)

Black reflective panels: (Optional)

Connect to home automation: (Optional)

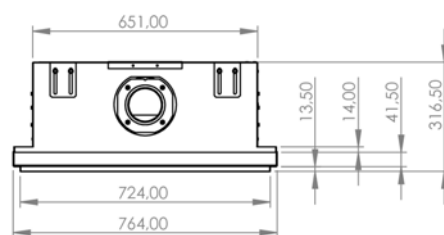
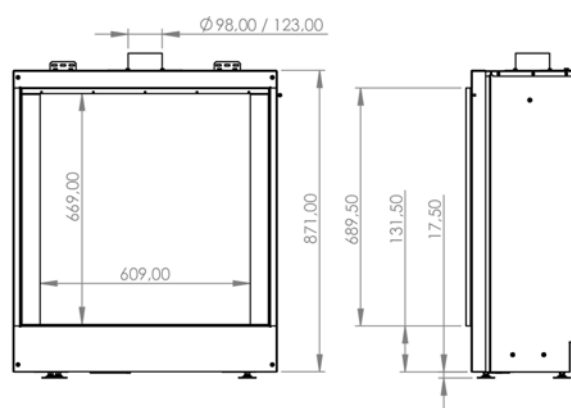
Operation via app - wifi kit: (Optional)

Anti-reflective glass: (Optional)

Access door: (Optional)

Remote control: (Standard)

Convection grills built-in and surface-mounted: (Optional)







Gasfire

## CUPIDO 70

Real Flame Burner S

Net natural gas capacity (min-max) G25: 2,4 - 7,0 kW

Net natural gas capacity (min-max) G20: 2,6 - 7,8 kW

Net propane capacity (min-max) G31: 2,0 - 7,9 kW

Efficiency: 88%

Energy efficiency class: B

Venting  $\varnothing$  (mm): 150/100

Black steel: (Standard)

Black reflective panels: (Optional)

Connect to home automation: (Optional)

Operation via app - wifi kit: (Optional)

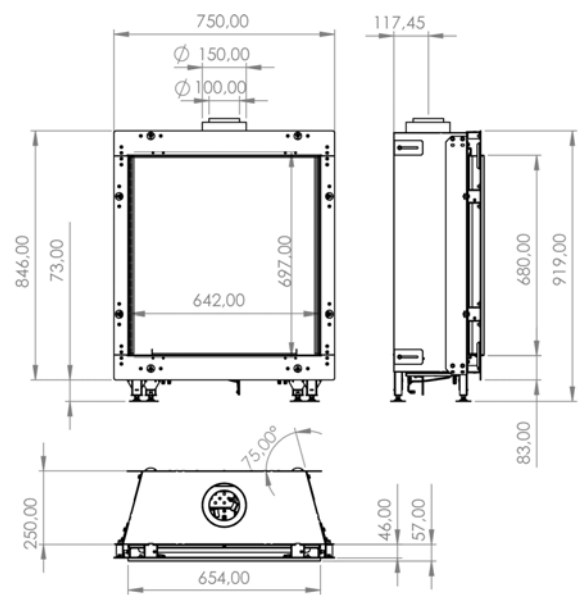
Powerfan: (Optional)

Anti-reflective glass: (Optional)

Access door: (Optional)

Remote control: (Standard)

Convection grills built-in and surface-mounted: (Optional)





*Gasfire*

## SUMMUM 70 F

Real Flame Burner M LED

Net natural gas capacity (min-max) G25: 2,9 - 7,0 kW

Net natural gas capacity (min-max) G20: 2,6 - 7,8 kW

Net propane capacity (min-max) G31: 2,0 - 7,9 kW

Efficiency: 88%

Energy efficiency class: B

Venting  $\varnothing$  (mm): 200/130

Black steel: (Standard)

Black reflective panels: (Optional)

Connect to home automation: (Optional)

Operation via app - wifi kit: (Optional)

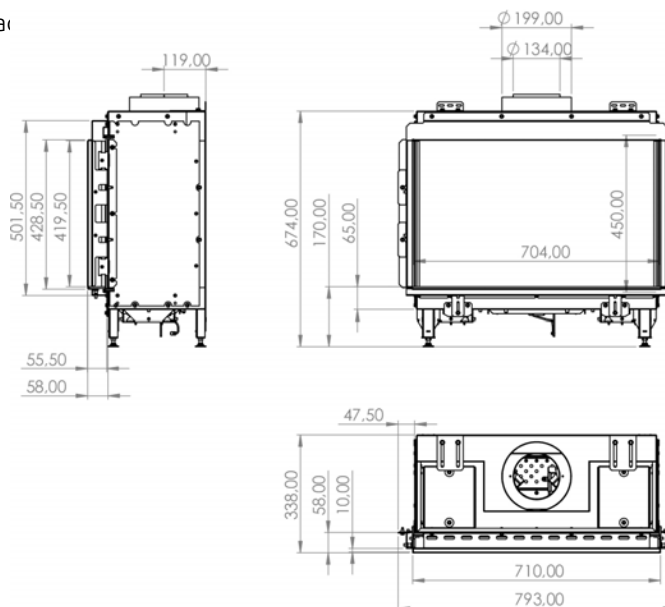
Powerfan: (Optional)

Anti-reflective glass: (Optional)

Access door: (Optional)

Remote control: (Standard)

Convection grills built-in and surfa





*Gasfire*

# MODORE 100

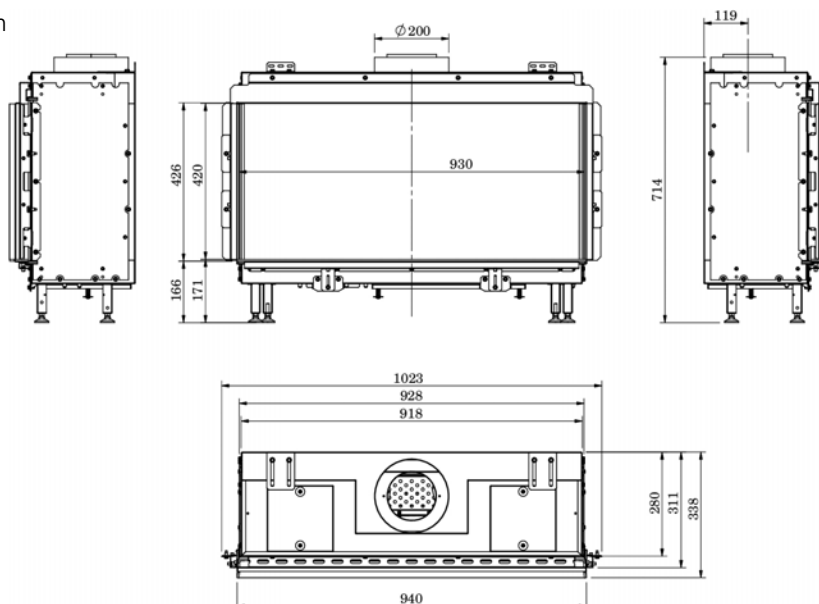
Single burner	
Net natural gas capacity (min-max) G25:	3,0 - 9,0 kW
Net natural gas capacity (min-max) G20:	3,2 - 9,7 kW
Net propane capacity (min-max) G31:	2,1 - 6,4 kW
Efficiency:	83%

Energy efficiency class:	B
Venting $\varnothing$ (mm):	130/200

Black steel:	(Standard)
Black reflective panels:	(Optional)

Connect to home automation:	(Optional)
Operation via app - wifi kit:	(Optional)
Powerfan:	(Optional)
Anti-reflective glass:	(Optional)
Access door:	(Optional)
Remote control:	(Standard)

Convection grills built-in an





*Gasfire*

## SUMMUM 100 F

Real Flame Burner M LED

Net natural gas capacity (min-max) G25: 2,9 - 10,6 kW

Net natural gas capacity (min-max) G20: 2,7 - 11,4 kW

Net propane capacity (min-max) G31: 2,9 - 11,2 kW

Efficiency: 89%

Energy efficiency class: A

Venting ø (mm): 130/200

Black steel: (Standard)

Black reflective panels: (Optional)

Connect to home automation: (Optional)

Operation via app - wifi kit: (Optional)

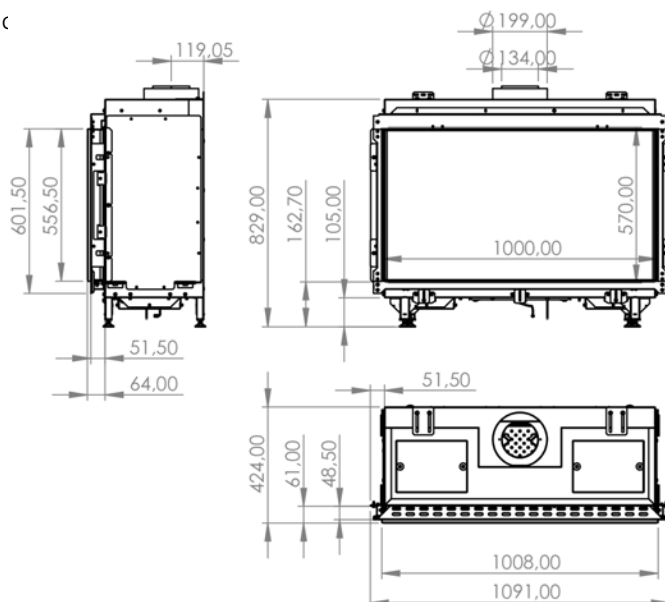
Powerfan: (Optional)

Anti-reflective glass: (Optional)

Access door: (Optional)

Remote control: (Standard)

Convection grills built-in and surfac







*Gasfire*

# MODORE 140

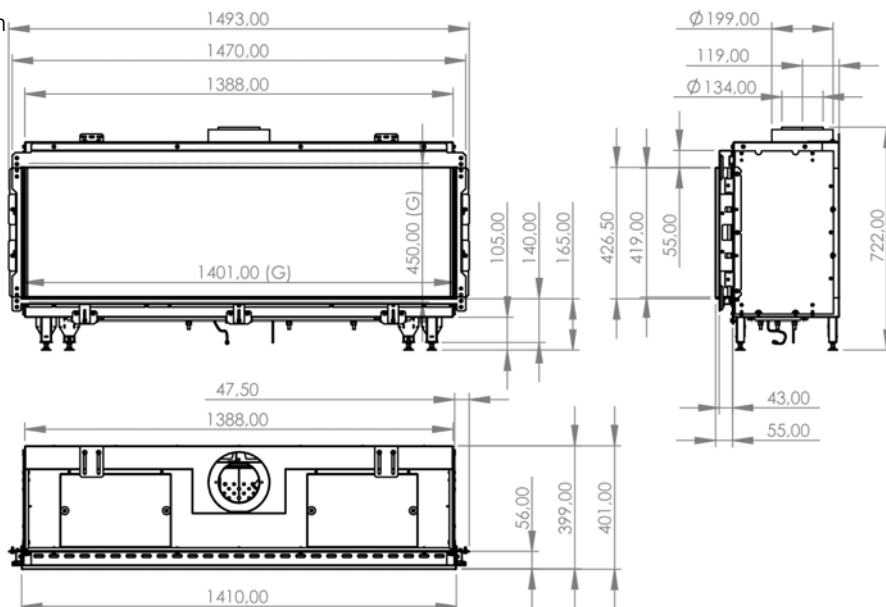
Quad burner	
Net natural gas capacity (min-max) G25:	2,2 - 12,9 kW
Net natural gas capacity (min-max) G20:	2,2 - 12,9 kW
Net propane capacity (min-max) G31:	2,2 - 13,3 kW
Efficiency:	90%

Energy efficiency class:	A
Venting ø (mm):	130/200

Black steel:	(Standard)
Black reflective panels:	(Optional)

Connect to home automation:	(Optional)
Operation via app - wifi kit:	(Optional)
Powerfan:	(Optional)
Anti-reflective glass:	(Optional)
Access door:	(Optional)
Remote control:	(Standard)

Convection grills built-in





*Gasfire*

# SUMMUM 140 F

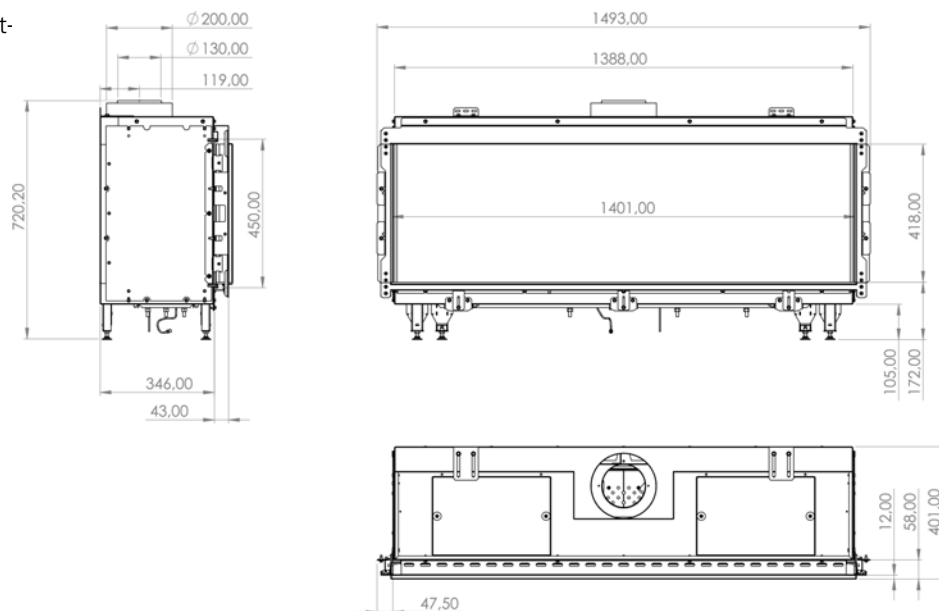
Real Flame Burner L LED	
Net natural gas capacity (min-max) G25:	2,2 - 17,6 kW
Net natural gas capacity (min-max) G20:	2,2 - 18,2 kW
Net propane capacity (min-max) G31:	2,2 - 18,5 kW
Efficiency:	90%

Energy efficiency class:	A
Venting ø (mm):	130/200

Black steel:	(Standard)
Black reflective panels:	(Optional)

Connect to home automation:	(Optional)
Operation via app - wifi kit:	(Optional)
Powerfan:	(Optional)
Anti-reflective glass:	(Optional)
Access door:	(Optional)
Remote control:	(Standard)

Convection grills built-







*Gasfire*

## MODORE 140 OUTDOOR

Quad burner

Net natural gas capacity (min-max) G25: 2,2 - 12,9 kW

Net natural gas capacity (min-max) G20: 2,2 - 12,9 kW

Net propane capacity (min-max) G31: 2,2 - 13,3 kW

Efficiency: 90%

Energy efficiency class: A

Venting  $\varnothing$  (mm): 130/200

Black steel: (Standard)

Black reflective panels: (Optional)

Connect to home automation: (Optional)

Operation via app - wifi kit: (Optional)

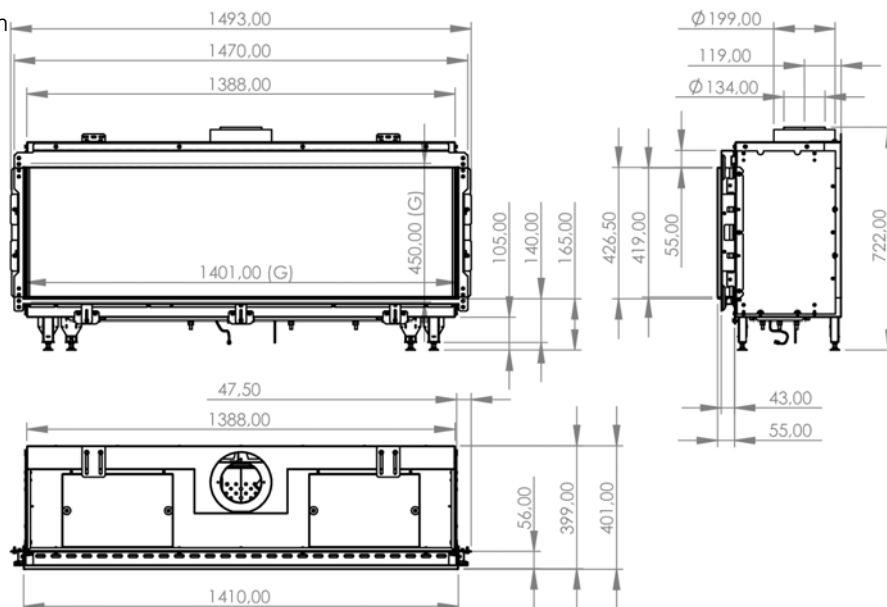
Powerfan: (Optional)

Anti-reflective glass: (Optional)

Access door: (Optional)

Remote control: (Standard)

Convection grills built-in





Gasfire

## MODORE 185

Multi burner

Net natural gas capacity (min-max) G25: 3,2 - 16,1 kW

Net natural gas capacity (min-max) G20: 3,6 - 10,8 kW

Net propane capacity (min-max) G31: 2,7 - 13,7 kW

Efficiency: 90%

Energy efficiency class: A

Venting  $\varnothing$  (mm): 130/200

Black steel: (Standard)

Black reflective panels: (Optional)

Connect to home automation: (Optional)

Operation via app - wifi kit: (Optional)

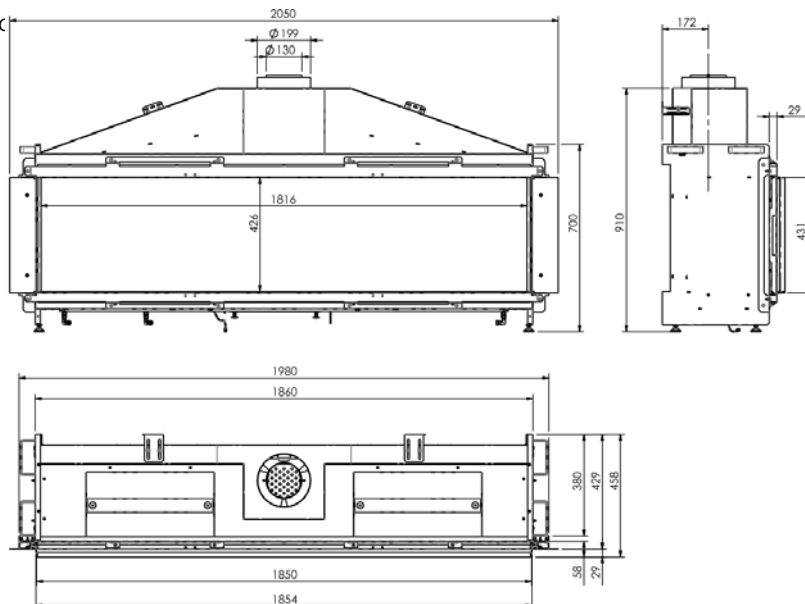
Powerfan: (Optional)

Anti-reflective glass: (Optional)

Access door: (Optional)

Remote control: (Standard)

Convection grills built-in and





Gasfire

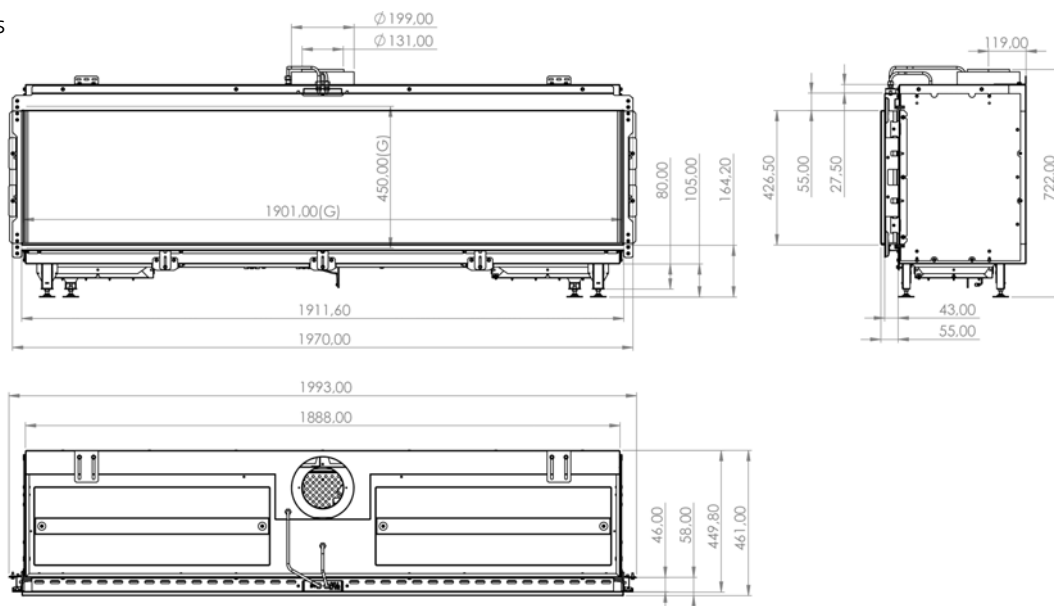
## SUMMUM 190 F

Real Flame Burner L LED	
Net natural gas capacity (min-max) G25:	2,2 - 17,4 kW
Net natural gas capacity (min-max) G20:	2,2 - 18,2 kW
Net propane capacity (min-max) G31:	2,2 - 16,2 kW
Efficiency:	89%

Energy efficiency class:	A
Venting $\varnothing$ (mm):	130/200

Black steel:	(Standard)
Black reflective panels:	(Optional)

Connect to home automation:	(Optional)
Operation via app - wifi kit:	(Optional)
Powerfan:	(Optional)
Anti-reflective glass:	(Optional)
Access door:	(Optional)
Remote control:	(Standard)
Convection grills	





*Gasfire*

## MODORE 240

Multi burner

Net natural gas capacity (min-max) G25: 3,5 - 18,2 kW

Net natural gas capacity (min-max) G20: 3,5 - 17,6 kW

Net propane capacity (min-max) G31: 6,3 - 18,4 kW

Efficiency: 89%

Energy efficiency class: A

Venting  $\varnothing$  (mm): 200/130

Black steel: (Standard)

Black reflective panels: (Optional)

Connect to home automation: (Optional)

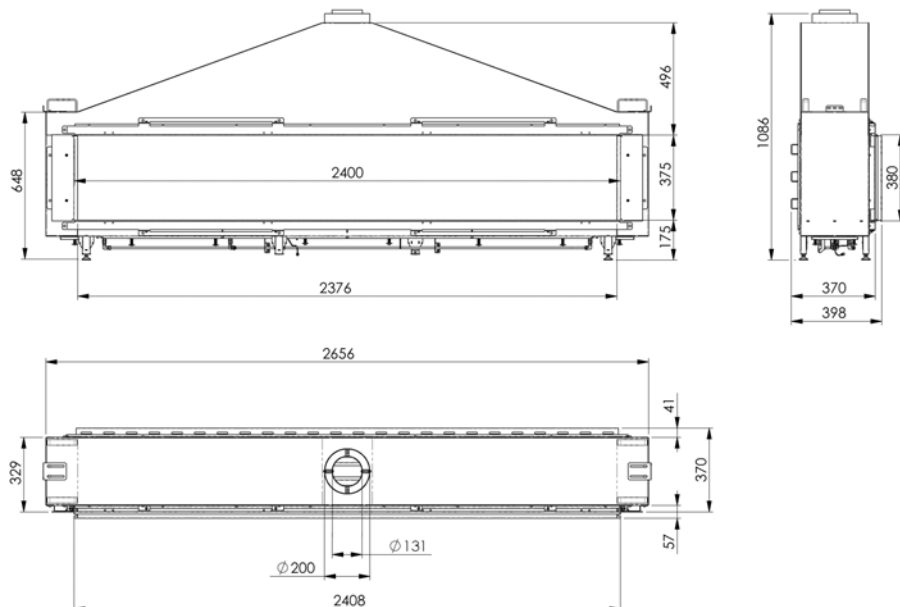
Operation via app - wifi kit: (Optional)

Powerfan: (Optional)

Access door: (Optional)

Remote control: (Standard)

Convection grills built-in and surface-mounted: (Optional)





Gasfire

## SKY SMALL FRONT

Real Flame Burner

Net natural gas capacity (min-max) G25: 2,5 - 13,0 kW

Net natural gas capacity (min-max) G20: 2,5 - 13,7 kW

Net propane capacity (min-max) G31: 2,5 - 12,5 kW

Efficiency: 89%

Energy efficiency class: A

Venting  $\varnothing$  (mm): 130/200

Black steel: (Standard)

Black reflective panels: (Optional)

Connect to home automation: (Optional)

Operation via app - wifi kit: (Optional)

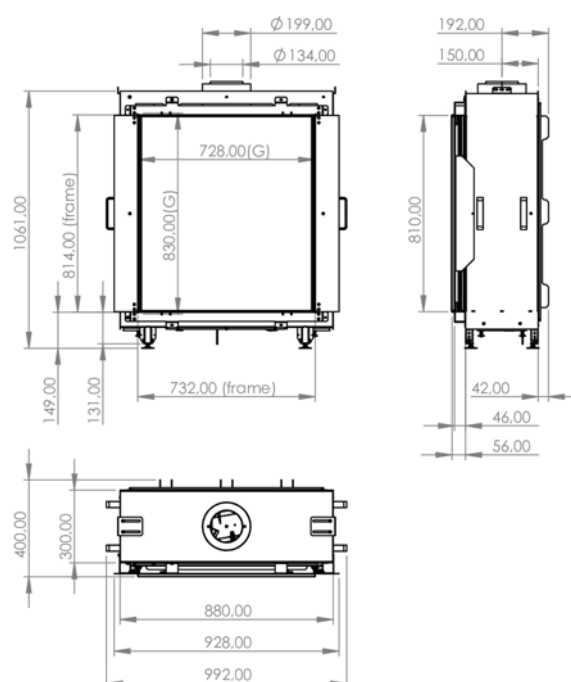
Powerfan: (Optional)

Anti-reflective glass: (Optional)

Access door: (Optional)

Remote control: (Standard)

Convection grills built-in and surface-mounted: (Optional)







*Gasfire*

## SKY SMALL FRONT OUTDOOR

Real Flame Burner

Net natural gas capacity (min-max) G25: 2,5 - 13,0 kW

Net natural gas capacity (min-max) G20: 2,5 - 13,7 kW

Net propane capacity (min-max) G31: 2,5 - 12,5 kW

Efficiency: 89%

Energy efficiency class: A

Venting  $\varnothing$  (mm): 130/200

Black steel: (Standard)

Black reflective panels: (Optional)

Connect to home automation: (Optional)

Operation via app - wifi kit: (Optional)

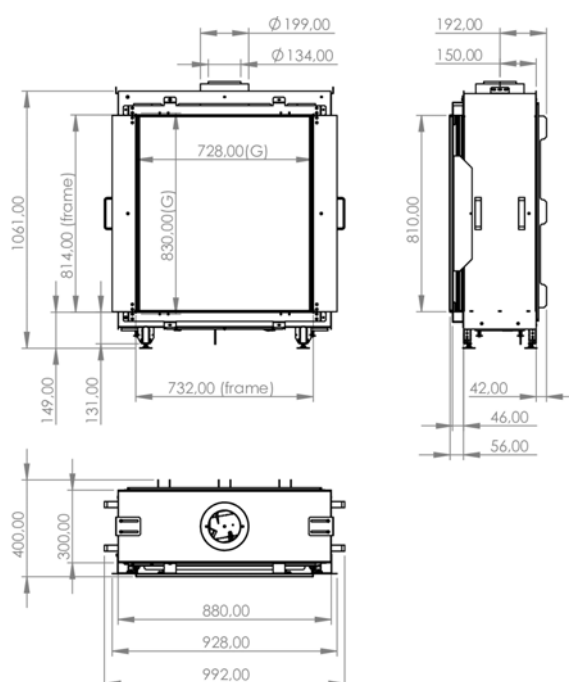
Powerfan: (Optional)

Anti-reflective glass: (Optional)

Access door: (Optional)

Remote control: (Standard)

Convection grills built-in and surface-mounted: (Optional)



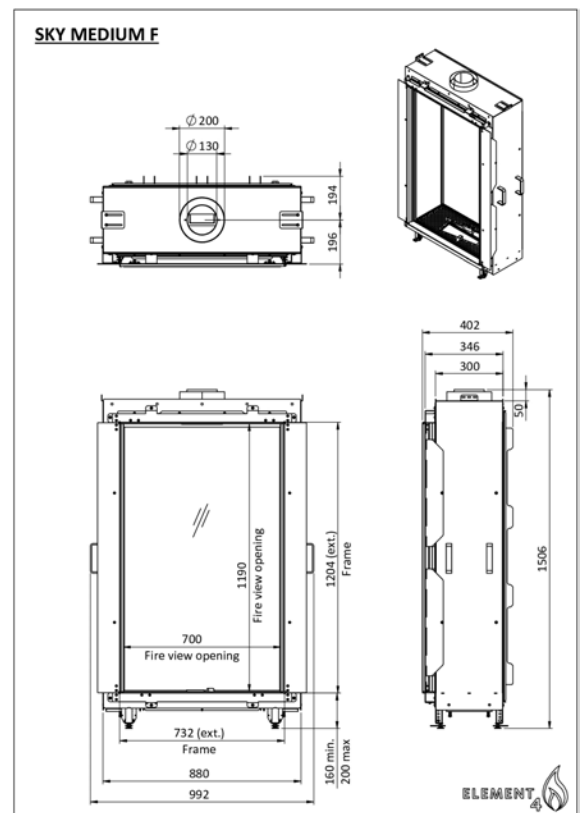




Gasfire

# SKY MEDIUM FRONT

Real Flame Burner	
Net natural gas capacity (min-max) G25:	2,5 - 13.0 kW
Net natural gas capacity (min-max) G20:	2,5 - 13.7 kW
Net propane capacity (min-max) G31:	2,5 - 12.5 kW
Efficiency:	89%
<hr/>	
Energy efficiency class:	A
Venting $\varnothing$ (mm):	130/200
<hr/>	
Black steel:	(Standard)
Black reflective panels:	(Optional)
<hr/>	
Connect to home automation:	(Optional)
Operation via app - wifi kit:	(Optional)
Powerfan:	(Optional)
Anti-reflective glass:	(Optional)
Access door:	(Optional)
Remote control:	(Standard)
Convection grills built-in and surface-mounted:	(Optional)





*Gasfire*

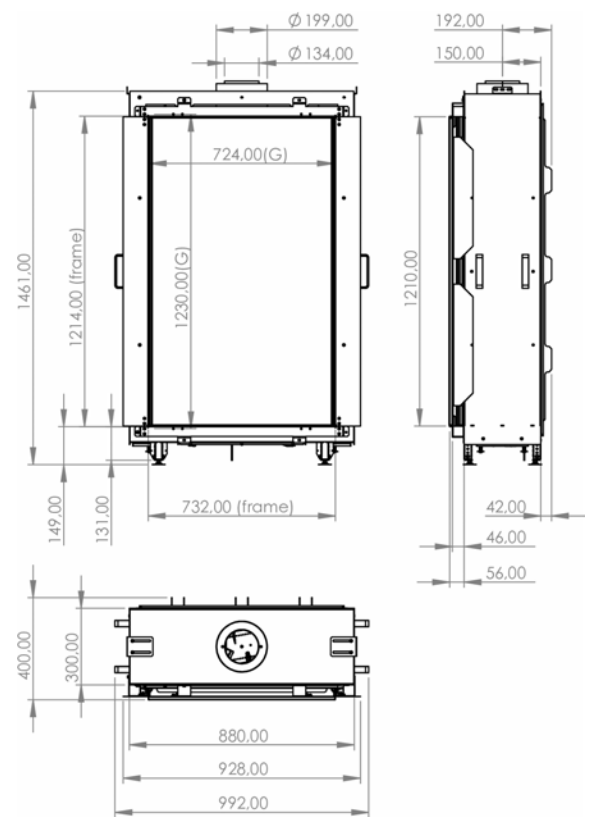
## SKY MEDIUM FRONT OUTDOOR

Real Flame Burner	
Net natural gas capacity (min-max) G25:	2,5 - 13,0 kW
Net natural gas capacity (min-max) G20:	2,5 - 13,7 kW
Net propane capacity (min-max) G31:	2,5 - 12,5 kW
Efficiency:	89%

Energy efficiency class:	A
Venting $\varnothing$ (mm):	130/200

Black steel:	(Standard)
Black reflective panels:	(Optional)

Connect to home automation:	(Optional)
Operation via app - wifi kit:	(Optional)
Powerfan:	(Optional)
Anti-reflective glass:	(Optional)
Access door:	(Optional)
Remote control:	(Standard)
Convection grills built-in and surface-mounted:	(Optional)





Gasfire

# SKY LARGE FRONT

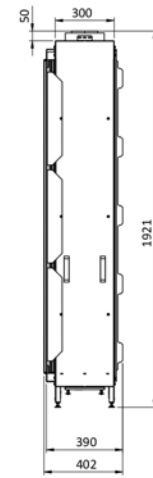
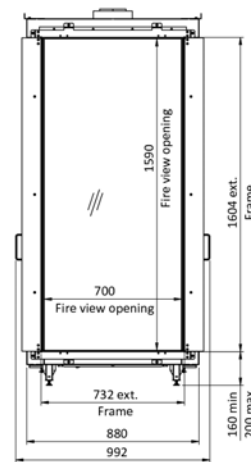
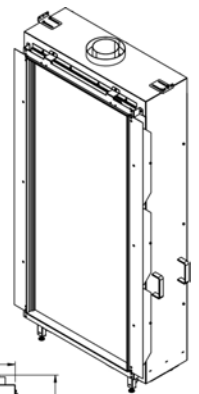
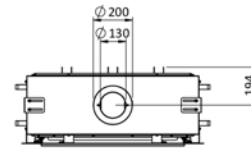
Real Flame Burner	
Net natural gas capacity (min-max) G25:	2,7 - 13,0 kW
Net natural gas capacity (min-max) G20:	2,7 - 13,7 kW
Net propane capacity (min-max) G31:	2,6 - 12,5 kW
Efficiency:	89%

Energy efficiency class:	A
Venting $\varnothing$ (mm):	130/200

Black steel:	(Standard)
Black reflective panels:	(Optional)

Connect to home automation:	(Optional)
Operation via app - wifi kit:	(Optional)
Powerfan:	(Optional)
Anti-reflective glass:	(Optional)
Access door:	(Optional)
Remote control:	(Standard)
Convection grills built-in and surface-mounted:	(Optional)

## SKY LARGE F



ELEMENT 4



*Gasfire*

# SKY LARGE FRONT OUTDOOR

Double burner, Real Flame Burner

Net natural gas capacity (min-max) G25: 2,7 - 13,0 kW

Net natural gas capacity (min-max) G20: 2,7 - 13,7 kW

Net propane capacity (min-max) G31: 2,6 - 12,5 kW

Efficiency: 86%

Energy efficiency class: A

Venting ø (mm): 130/200

Black steel: (Standard)

Black reflective panels: (Optional)

Connect to home automation: (Optional)

Operation via app - wifi kit: (Optional)

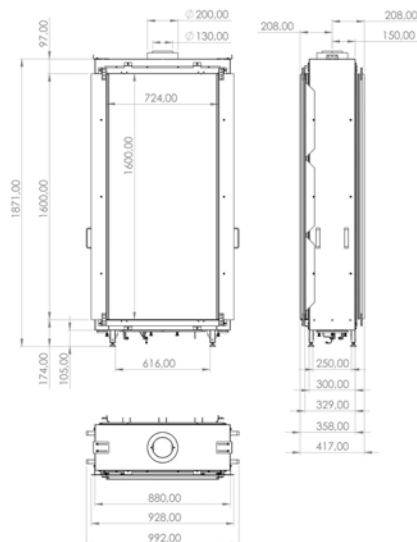
Powerfan: (Optional)

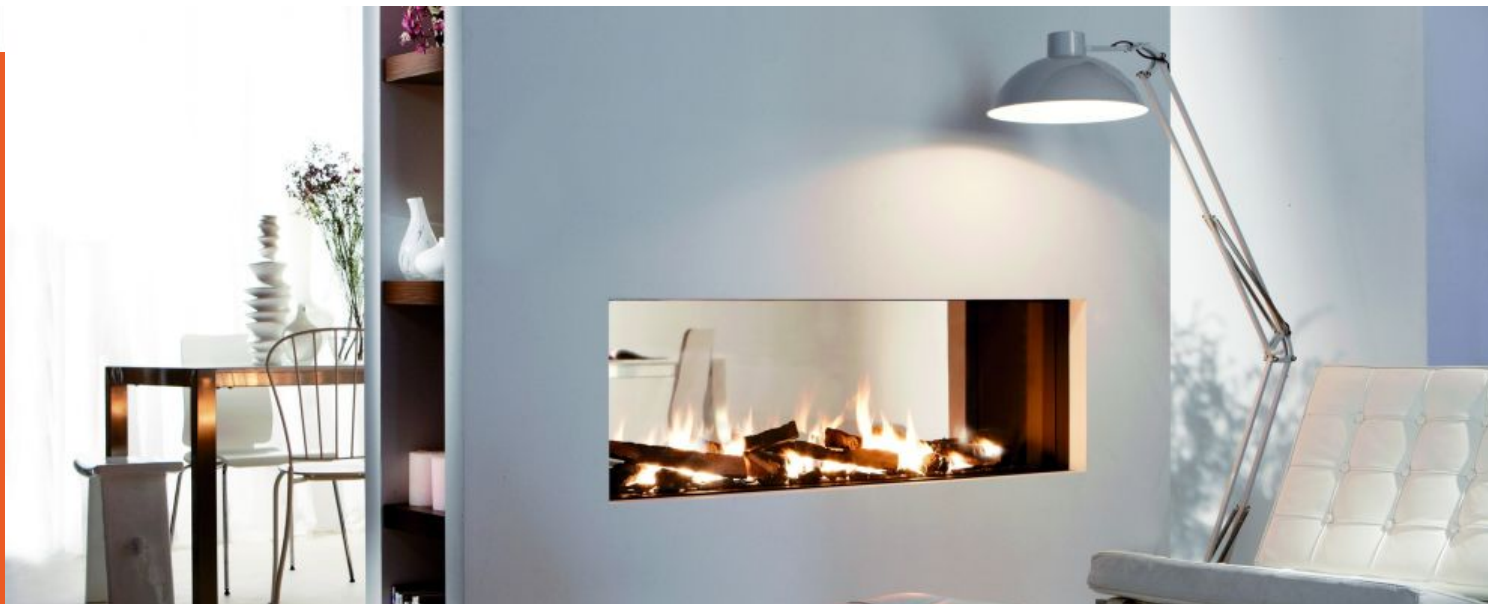
Anti-reflective glass: (Optional)

Access door: (Optional)

Remote control: (Standard)

Convection grills built-in and





Gasfire

## TENORE 140

Quad burner

Net natural gas capacity (min-max) G25: 2,2 - 12,9 kW

Net natural gas capacity (min-max) G20: 2,2 - 12,9 kW

Net propane capacity (min-max) G31: 2,2 - 13,3 kW

Efficiency: 90%

Energy efficiency class: A

Venting  $\varnothing$  (mm): 200/130

Black steel: (Standard)

Black reflective panels: (Optional)

Connect to home automation: (Optional)

Operation via app - wifi kit: (Optional)

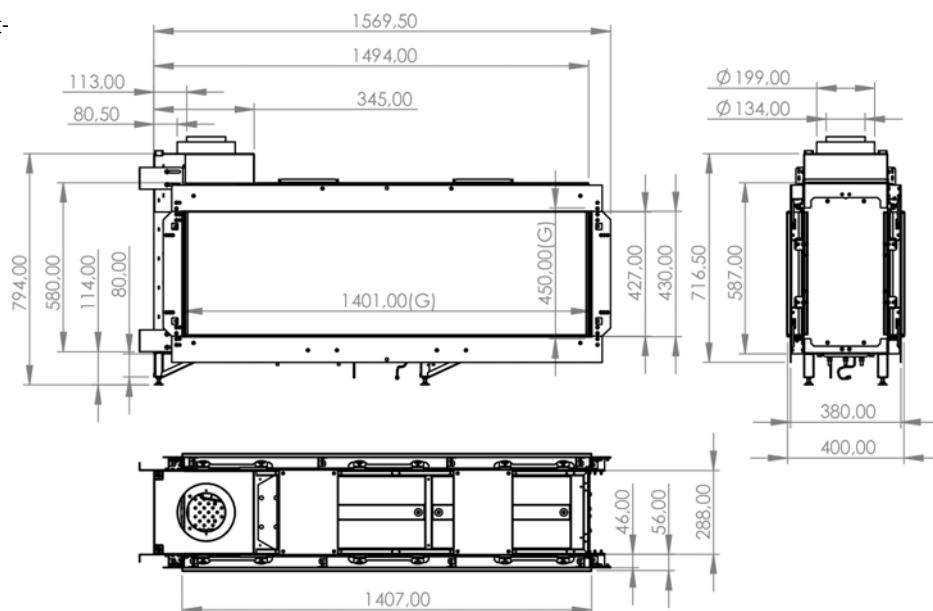
Powerfan: (Optional)

Anti-reflective glass: (Optional)

Access door: (Optional)

Remote control: (Standard)

Convection grills built-







*Gasfire*

## SUMMUM 140 T

Real Flame Burner L LED

Net natural gas capacity (min-max) G25: 2,2 - 17,6 kW

Net natural gas capacity (min-max) G20: 2,2 - 18,2 kW

Net propane capacity (min-max) G31: 2,2 - 18,5 kW

Efficiency: 90%

Energy efficiency class: A

Venting  $\varnothing$  (mm): 130/200

Black steel: (Standard)

Black reflective panels: (Optional)

Connect to home automation: (Optional)

Operation via app - wifi kit: (Optional)

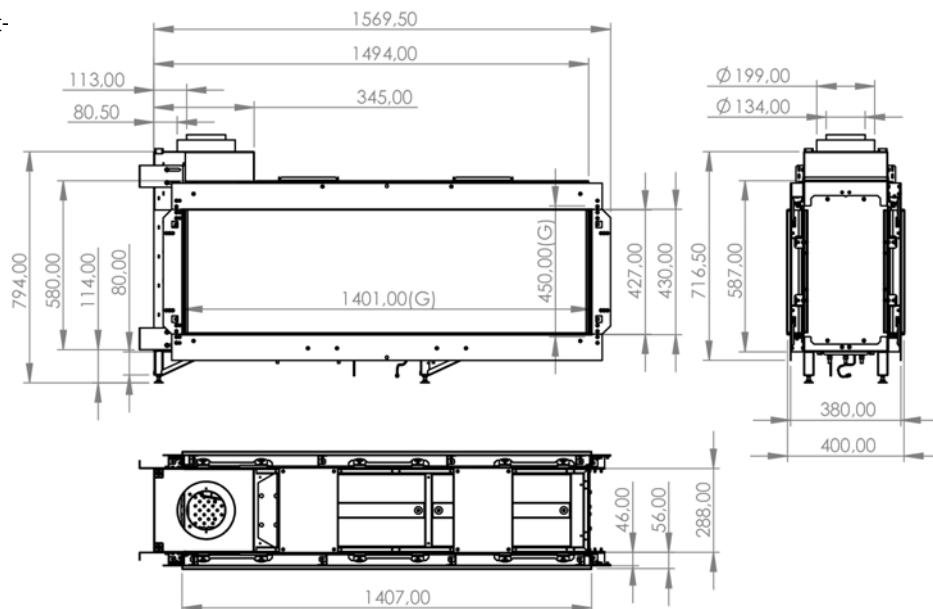
Powerfan: (Optional)

Anti-reflective glass: (Optional)

Access door: (Optional)

Remote control: (Standard)

Convection grills built-







*Gasfire*

# TENORE 240

Multi burner

Net natural gas capacity (min-max) G25: 3,5 - 18,2 kW

Net natural gas capacity (min-max) G20: 3,5 - 17,6 kW

Net propane capacity (min-max) G31: 6,3 - 18,4 kW

Efficiency: 89%

Energy efficiency class: A

Venting  $\varnothing$  (mm): 200/130

Black steel: (Standard)

Black reflective panels: (Optional)

Connect to home automation: (Optional)

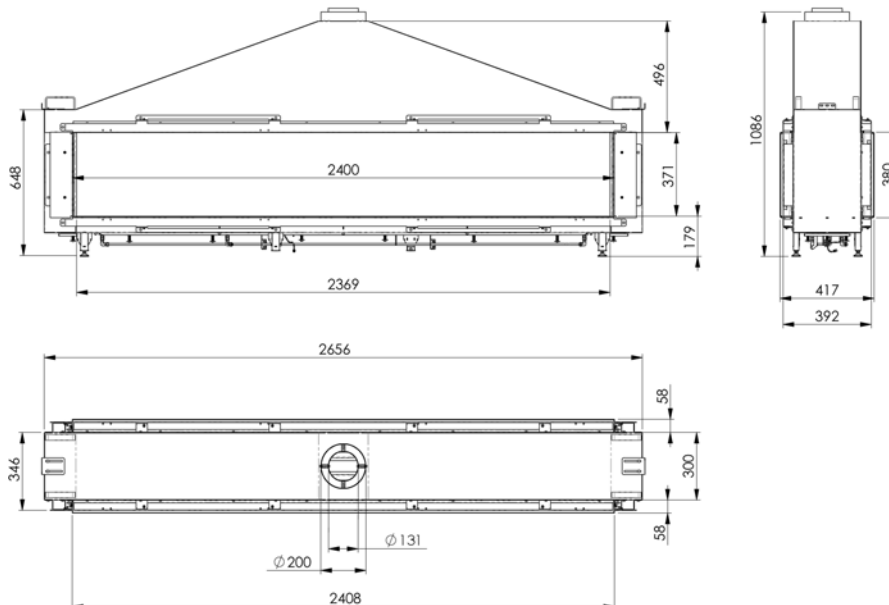
Operation via app - wifi kit: (Optional)

Powerfan: (Optional)

Access door: (Optional)

Remote control: (Standard)

Convection grills built-in and surface-mounted: (Optional)





Gasfire

## SKY SMALL TUNNEL

Real Flame Burner

Net natural gas capacity (min-max) G25: 2,5 - 13,0 kW

Net natural gas capacity (min-max) G20: 2,5 - 13,7 kW

Net propane capacity (min-max) G31: 2,5 - 12,5 kW

Efficiency: 89%

Energy efficiency class: A

Black steel: (Standard)

Black reflective panels: (Optional)

Connect to home automation: (Optional)

Operation via app - wifi kit: (Optional)

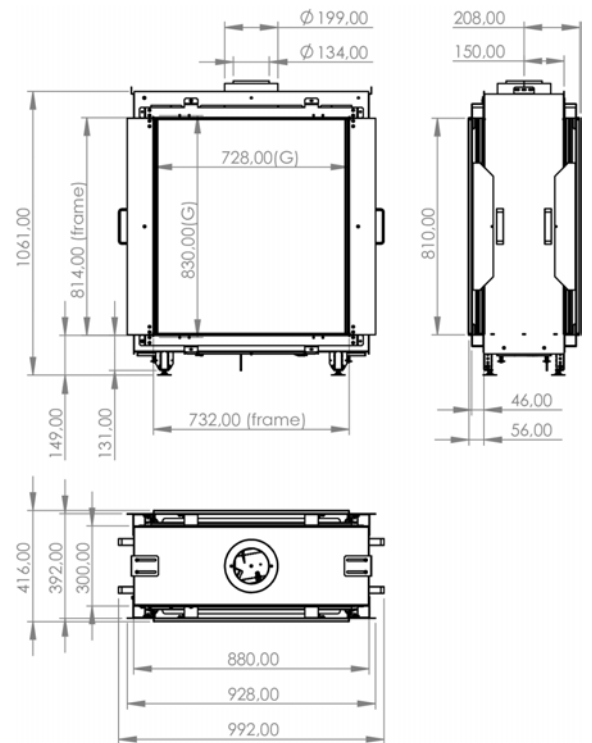
Powerfan: (Optional)

Anti-reflective glass: (Optional)

Access door: (Optional)

Remote control: (Standard)

Convection grills built-in and surface-mounted: (Optional)





Gasfire

## SKY SMALL TUNNEL OUTDOOR

Real Flame Burner

Net natural gas capacity (min-max) G25: 2,5 - 13,0 kW

Net natural gas capacity (min-max) G20: 2,5 - 13,7 kW

Net propane capacity (min-max) G31: 2,5 - 12,5 kW

Efficiency: 89%

Energy efficiency class: A

Venting  $\varnothing$  (mm): 130/200

Black steel: (Standard)

Black reflective panels: (Optional)

Connect to home automation: (Optional)

Operation via app - wifi kit: (Optional)

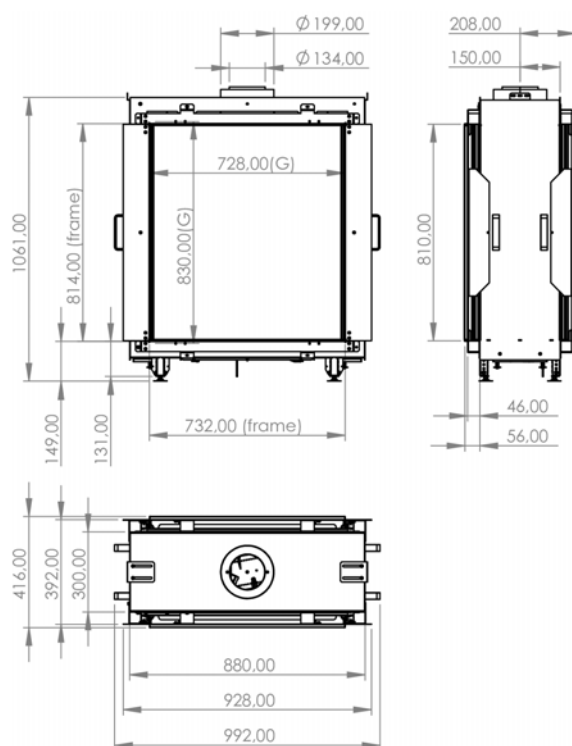
Powerfan: (Optional)

Anti-reflective glass: (Optional)

Access door: (Optional)

Remote control: (Standard)

Convection grills built-in and surface-mounted: (Optional)





*Gasfire*

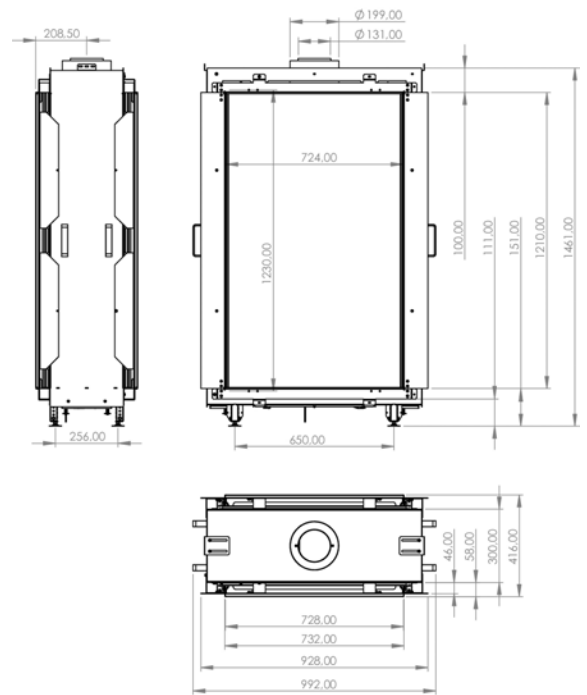
## SKY MEDIUM TUNNEL

Real Flame Burner	
Net natural gas capacity (min-max) G25:	2,5 - 13,0 kW
Net natural gas capacity (min-max) G20:	2,5 - 13,7 kW
Net propane capacity (min-max) G31:	2,5 - 12,5 kW
Efficiency:	89%

Energy efficiency class:	A
Venting $\varnothing$ (mm):	130/200

Black steel:	(Standard)
Black reflective panels:	(Optional)

Connect to home automation:	(Optional)
Operation via app - wifi kit:	(Optional)
Powerfan:	(Optional)
Anti-reflective glass:	(Optional)
Access door:	(Optional)
Remote control:	(Standard)
Convection grills built-in and surface-mounted:	(Optional)



Sky Medium T



Gasfire

# SKY MEDIUM TUNNEL OUTDOOR

Real Flame Burner

Net natural gas capacity (min-max) G25: 2,5 - 13,0 kW

Net natural gas capacity (min-max) G20: 2,5 - 13,7 kW

Net propane capacity (min-max) G31: 2,5 - 12,5 kW

Efficiency: 89%

Energy efficiency class: A

Venting  $\varnothing$  (mm): 130/200

Black steel: (Standard)

Black reflective panels: (Optional)

Connect to home automation: (Optional)

Operation via app - wifi kit: (Optional)

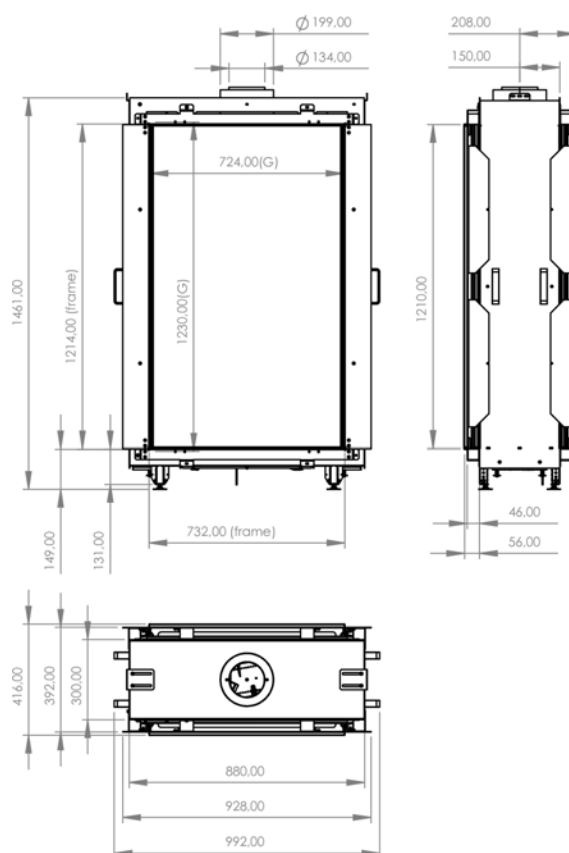
Powerfan: (Optional)

Anti-reflective glass: (Optional)

Access door: (Optional)

Remote control: (Standard)

Convection grills built-in and surface-mounted: (Optional)







*Gasfire*

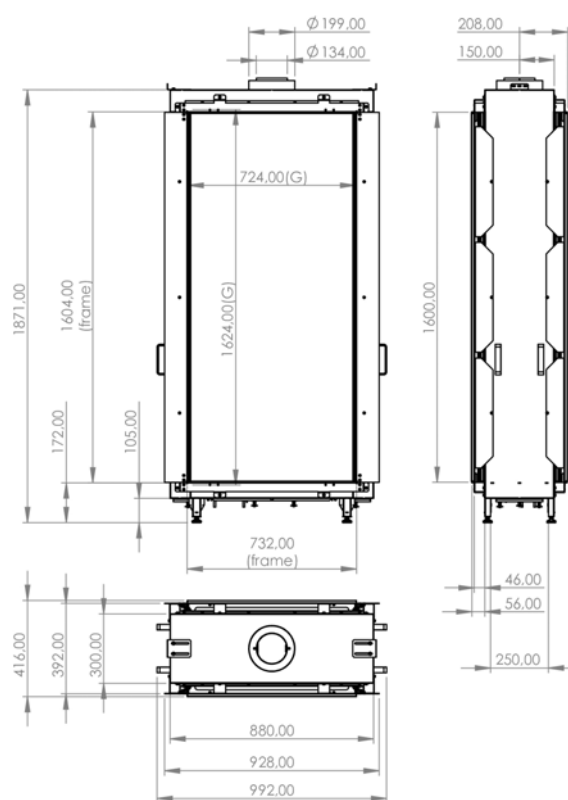
## SKY LARGE TUNNEL

Real Flame Burner	
Net natural gas capacity (min-max) G25:	2,7 - 13,0 kW
Net natural gas capacity (min-max) G20:	2,7 - 13,7 kW
Net propane capacity (min-max) G31:	2,6 - 12,5 kW
Efficiency:	89%

Energy efficiency class:	A
Venting $\varnothing$ (mm):	200/130

Black steel:	(Standard)
Black reflective panels:	(Optional)

Connect to home automation:	(Optional)
Operation via app - wifi kit:	(Optional)
Powerfan:	(Optional)
Anti-reflective glass:	(Optional)
Access door:	(Optional)
Remote control:	(Standard)
Convection grills built-in and surface-mounted:	(Optional)







*Gasfire*

# SKY LARGE TUNNEL OUTDOOR

Double burner, Real Flame Burner

Net natural gas capacity (min-max) G25: 2,7 - 13,0 kW

Net natural gas capacity (min-max) G20: 2,7 - 13,7 kW

Net propane capacity (min-max) G31: 2,6 - 12,5 kW

Efficiency: 86%

Energy efficiency class: A

Venting  $\varnothing$  (mm): 130/200

Black steel: (Standard)

Black reflective panels: (Optional)

Connect to home automation: (Optional)

Operation via app - wifi kit: (Optional)

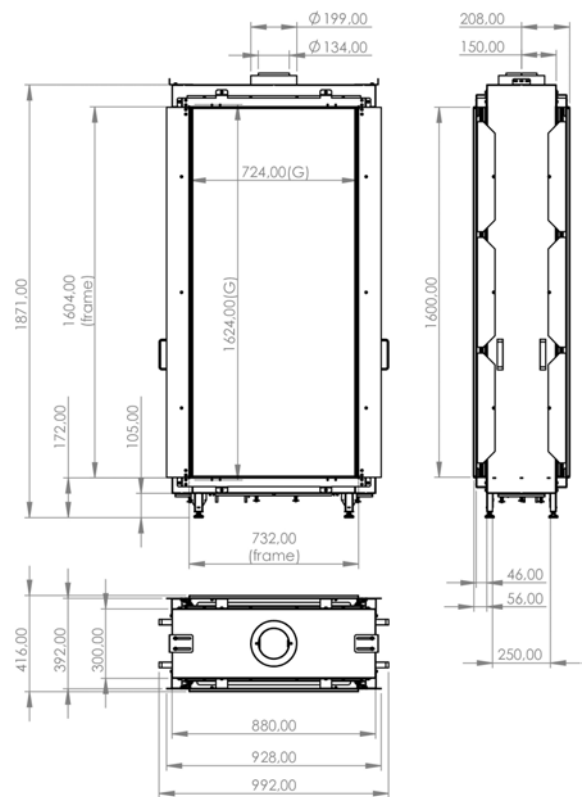
Powerfan: (Optional)

Anti-reflective glass: (Optional)

Access door: (Optional)

Remote control: (Standard)

Convection grills built-in and surface-mounted: (Optional)





*Gasfire*

## SUMMUM 70 3/S

Real Flame Burner M LED

Net natural gas capacity (min-max) G25: 2,9 - 7,0 kW

Net natural gas capacity (min-max) G20: 2,6 - 7,8 kW

Net propane capacity (min-max) G31: 2,0 - 7,9 kW

Efficiency: 88%

Energy efficiency class: B

Venting ø (mm): 200/130

Black steel: (Standard)

Black reflective panels: (Optional)

Connect to home automation: (Optional)

Operation via app - wifi kit: (Optional)

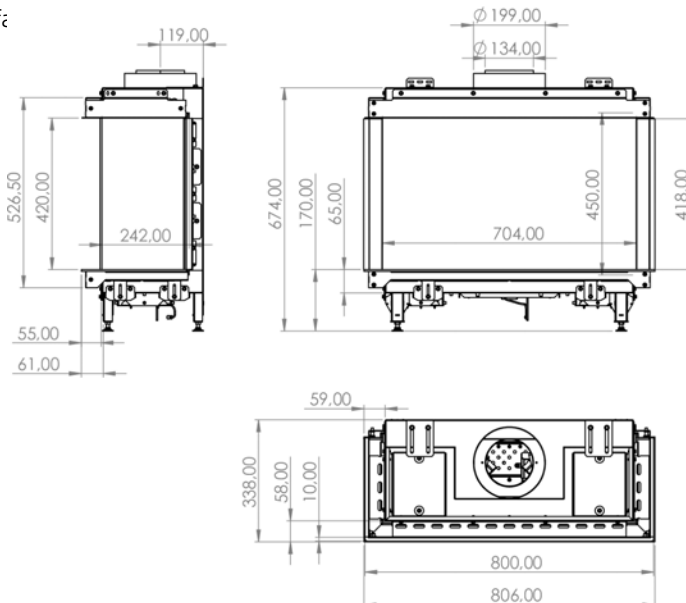
Powerfan: (Optional)

Anti-reflective glass: (Optional)

Access door: (Optional)

Remote control: (Standard)

Convection grills built-in and surf:





Gasfire

## TRISORE 100

Single burner

Net natural gas capacity (min-max) G25: 3,0 - 9,0 kW

Net natural gas capacity (min-max) G20: 3,2 - 9,7 kW

Net propane capacity (min-max) G31: 2,1 - 6,4 kW

Efficiency: 83%

Energy efficiency class: B

Venting  $\varnothing$  (mm): 130/200

Black steel: (Standard)

Black reflective panels: (Optional)

Connect to home automation: (Optional)

Operation via app - wifi kit: (Optional)

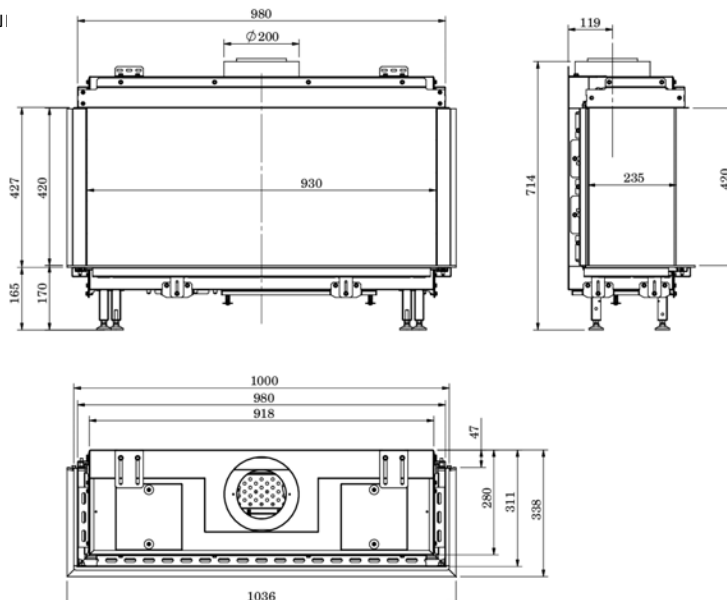
Powerfan: (Optional)

Anti-reflective glass: (Optional)

Access door: (Optional)

Remote control: (Standard)

Convection grills built-in and su





*Gasfire*

## SUMMUM 100 3/S

Real Flame Burner M LED

Net natural gas capacity (min-max) G25: 2,9 - 10,6 kW

Net natural gas capacity (min-max) G20: 2,7 - 11,4 kW

Net propane capacity (min-max) G31: 2,9 - 11,2 kW

Efficiency: 89%

Energy efficiency class: A

Venting ø (mm): 130/200

Black steel: (Standard)

Black reflective panels: (Optional)

Connect to home automation: (Optional)

Operation via app - wifi kit: (Optional)

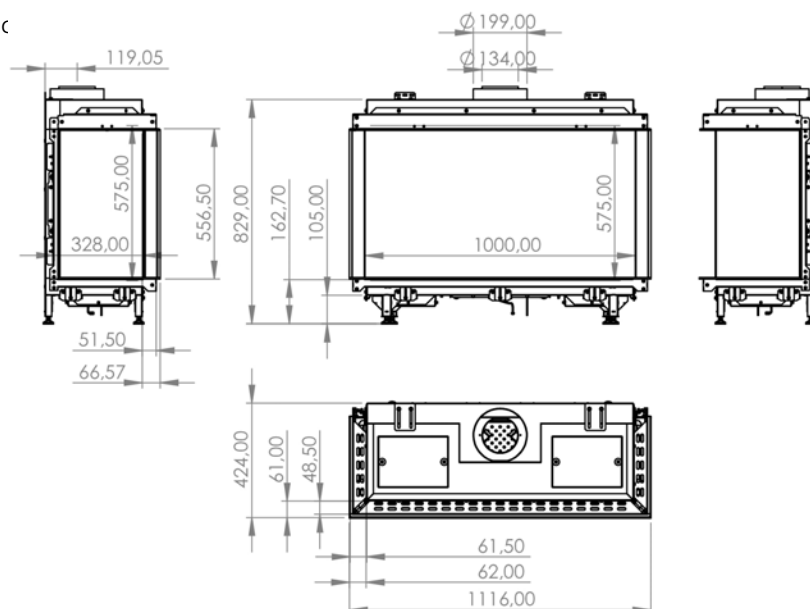
Powerfan: (Optional)

Anti-reflective glass: (Optional)

Access door: (Optional)

Remote control: (Standard)

Convection grills built-in and







*Gasfire*

## TRISORE 140

Quad burner

Net natural gas capacity (min-max) G25: 2,2 - 12,9 kW

Net natural gas capacity (min-max) G20: 2,2 - 12,9 kW

Net propane capacity (min-max) G31: 2,2 - 13,3 kW

Efficiency: 90%

Energy efficiency class: A

Venting  $\varnothing$  (mm): 130/200

Black steel: (Standard)

Black reflective panels: (Optional)

Connect to home automation: (Optional)

Operation via app - wifi kit: (Optional)

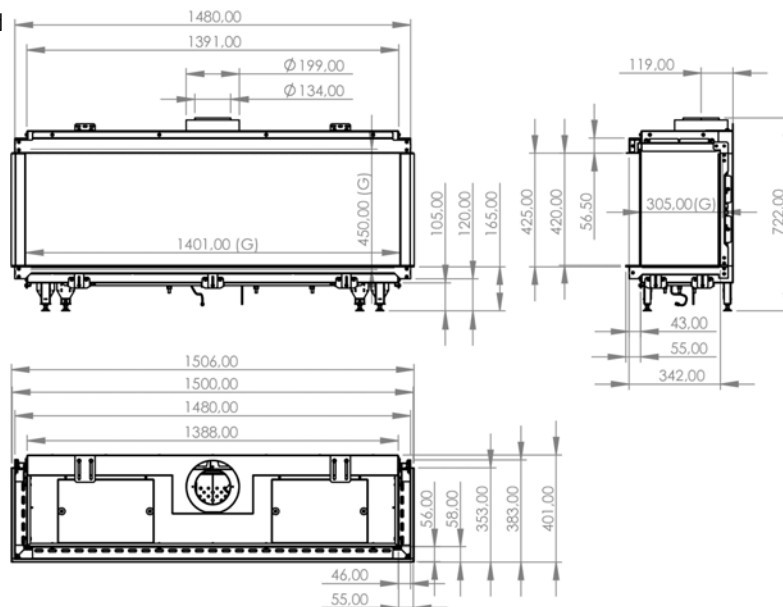
Powerfan: (Optional)

Anti-reflective glass: (Optional)

Access door: (Optional)

Remote control: (Standard)

Convection grills built-in and







*Gasfire*

## SUMMUM 140 3S

Real Flame Burner L LED

Net natural gas capacity (min-max) G25: 2,2 - 17,6 kW

Net natural gas capacity (min-max) G20: 2,2 - 18,2 kW

Net propane capacity (min-max) G31: 2,2 - 18,5 kW

Efficiency: 90%

Energy efficiency class: A

Venting  $\varnothing$  (mm): 130/200

Black steel: (Standard)

Black reflective panels: (Optional)

Connect to home automation: (Optional)

Operation via app - wifi kit: (Optional)

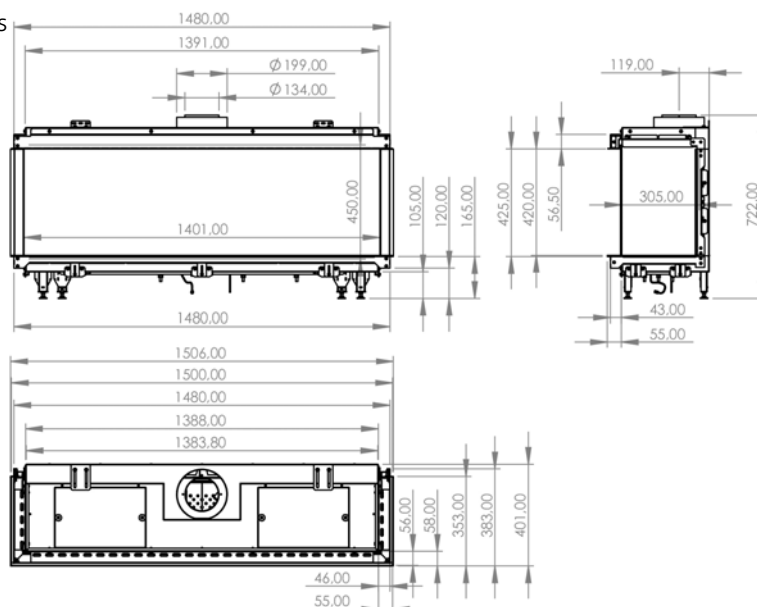
Powerfan: (Optional)

Anti-reflective glass: (Optional)

Access door: (Optional)

Remote control: (Standard)

Convection grills built-in and s





*Gasfire*

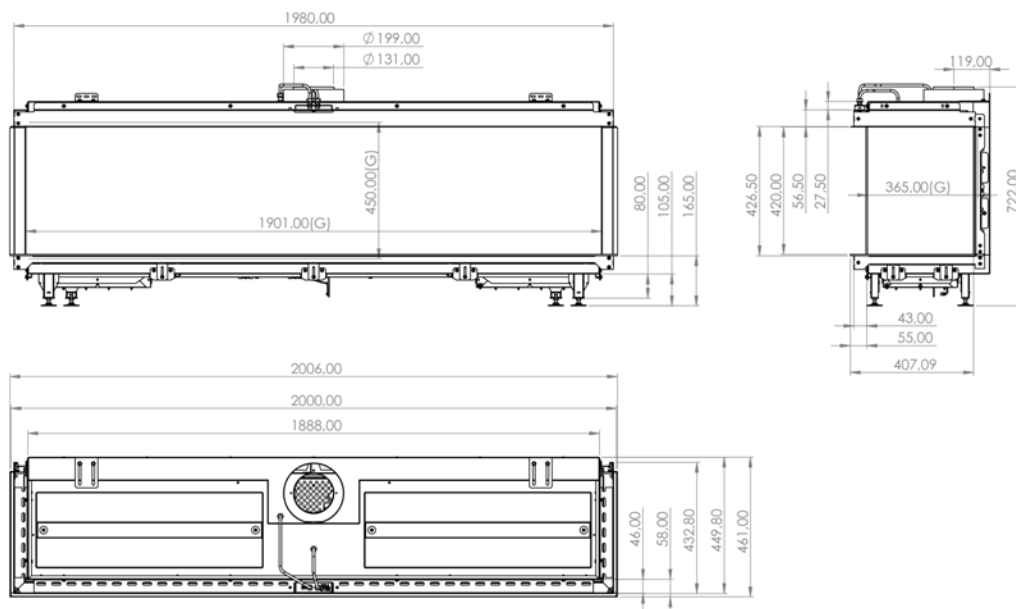
# SUMMUM 190 3S

Real Flame Burner L LED	
Net natural gas capacity (min-max) G25:	2,2 - 17,4 kW
Net natural gas capacity (min-max) G20:	2,2 - 18,2 kW
Net propane capacity (min-max) G31:	2,2 - 16,2 kW
Efficiency:	89%

Energy efficiency class:	A
--------------------------	---

Black steel:	(Standard)
Black reflective panels:	(Optional)

Connect to home automation:	(Optional)
Operation via app - wifi kit:	(Optional)
Powerfan:	(Optional)
Anti-reflective glass:	(Optional)
Access door:	(Optional)
Remote control:	(Standard)
Convection grills built-in and surface-mounted:	(Optional)





*Gasfire*

## SUMMUM 70 C

Real Flame Burner M LED

Net natural gas capacity (min-max) G25: 2,9 - 7,0 kW

Net natural gas capacity (min-max) G20: 2,6 - 7,8 kW

Net propane capacity (min-max) G31: 2,0 - 7,9 kW

Efficiency: 88%

Energy efficiency class: B

Venting  $\varnothing$  (mm): 130/200

Black steel: (Standard)

Black reflective panels: (Optional)

Connect to home automation: (Optional)

Operation via app - wifi kit: (Optional)

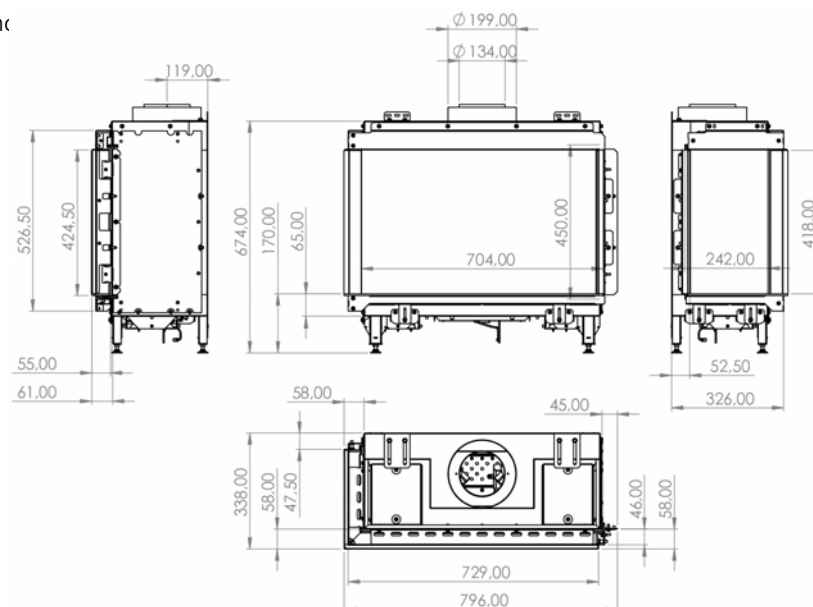
Powerfan: (Optional)

Anti-reflective glass: (Optional)

Access door: (Optional)

Remote control: (Standard)

Convection grills built-in and





*Gasfire*

## BIDORE 100

Single burner

Net natural gas capacity (min-max) G25: 3,0 - 9,0 kW

Net natural gas capacity (min-max) G20: 3,2 - 9,7 kW

Net propane capacity (min-max) G31: 2,1 - 6,4 kW

Efficiency: 83%

Energy efficiency class: B

Venting  $\varnothing$  (mm): 130/200

Black steel: (Standard)

Black reflective panels: (Optional)

Connect to home automation: (Optional)

Operation via app - wifi kit: (Optional)

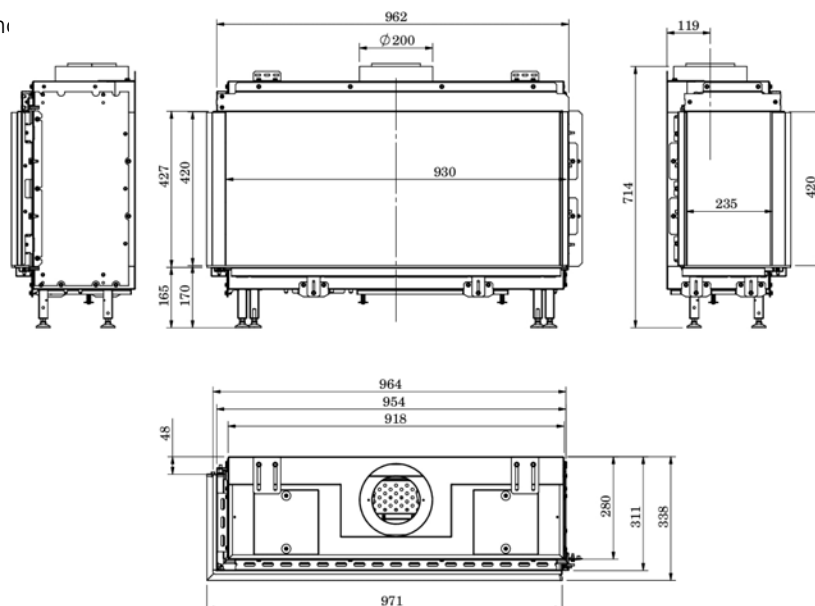
Powerfan: (Optional)

Anti-reflective glass: (Optional)

Access door: (Optional)

Remote control: (Standard)

Convection grills built-in and







*Gasfire*

## SUMMUM 100 C

Real Flame Burner M LED

Net natural gas capacity (min-max) G25: 2,9 - 10,6 kW

Net natural gas capacity (min-max) G20: 2,7 - 11,4 kW

Net propane capacity (min-max) G31: 2,9 - 11,2 kW

Efficiency: 89%

Energy efficiency class: A

Venting  $\varnothing$  (mm): 130/200

Black steel: (Standard)

Black reflective panels: (Optional)

Connect to home automation: (Optional)

Operation via app - wifi kit: (Optional)

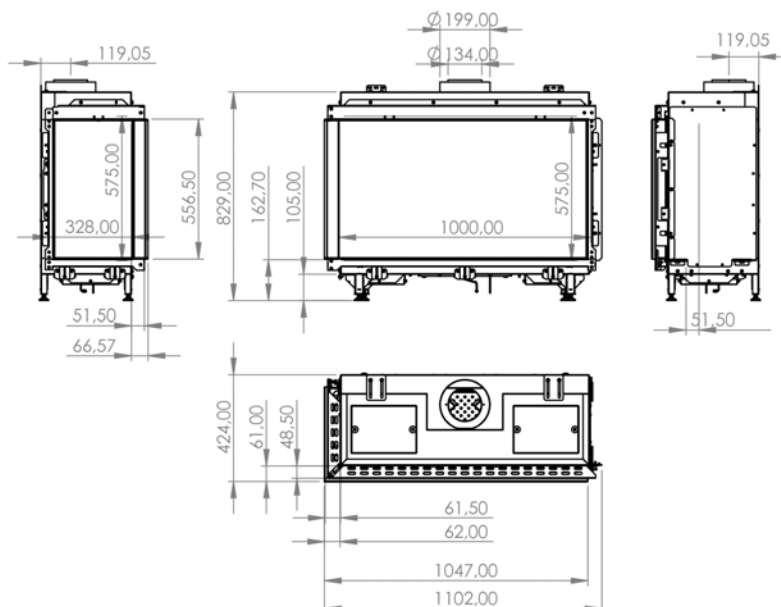
Powerfan: (Optional)

Anti-reflective glass: (Optional)

Access door: (Optional)

Remote control: (Standard)

Convection grills built-in and







*Gasfire*

# BIDORE 140

Quad burner

Net natural gas capacity (min-max) G25: 2,2 - 12,9 kW

Net natural gas capacity (min-max) G20: 2,2 - 12,9 kW

Net propane capacity (min-max) G31: 2,2 - 13,3 kW

Efficiency: 90%

Energy efficiency class: A

Venting ø (mm): 130/200

Black steel: (Standard)

Black reflective panels: (Optional)

Connect to home automation: (Optional)

Operation via app - wifi kit: (Optional)

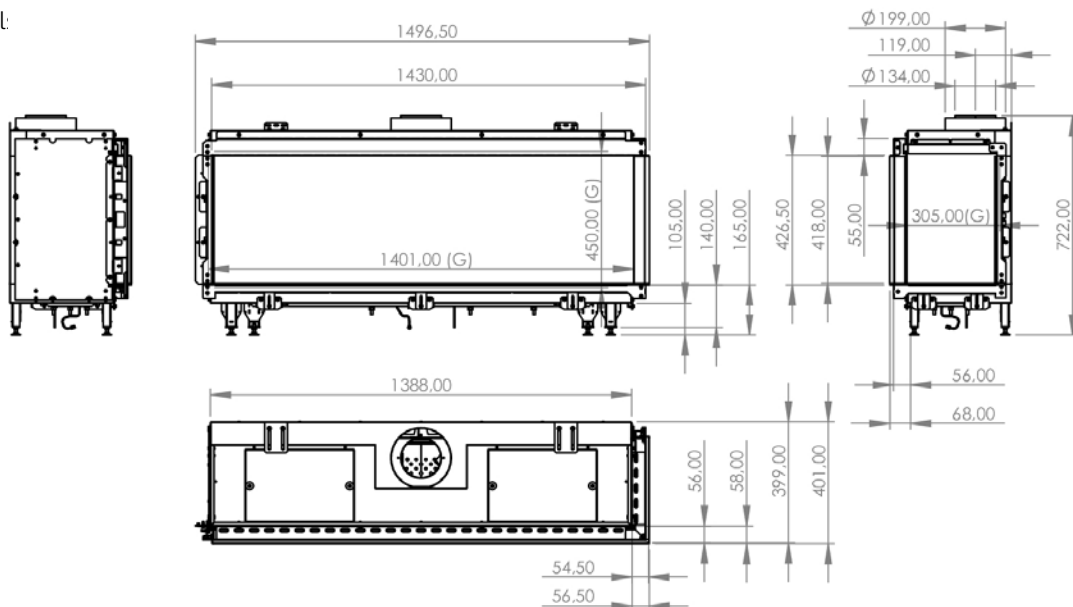
Powerfan: (Optional)

Anti-reflective glass: (Optional)

Access door: (Optional)

Remote control: (Standard)

Convection grill:





*Gasfire*

## SUMMUM 140 C

Real Flame Burner L LED

Net natural gas capacity (min-max) G25: 2,2 - 17,6 kW

Net natural gas capacity (min-max) G20: 2,2 - 18,2 kW

Net propane capacity (min-max) G31: 2,2 - 18,5 kW

Efficiency: 90%

Energy efficiency class: A

Venting ø (mm): 130/200

Black steel: (Standard)

Black reflective panels: (Optional)

Connect to home automation: (Optional)

Operation via app - wifi kit: (Optional)

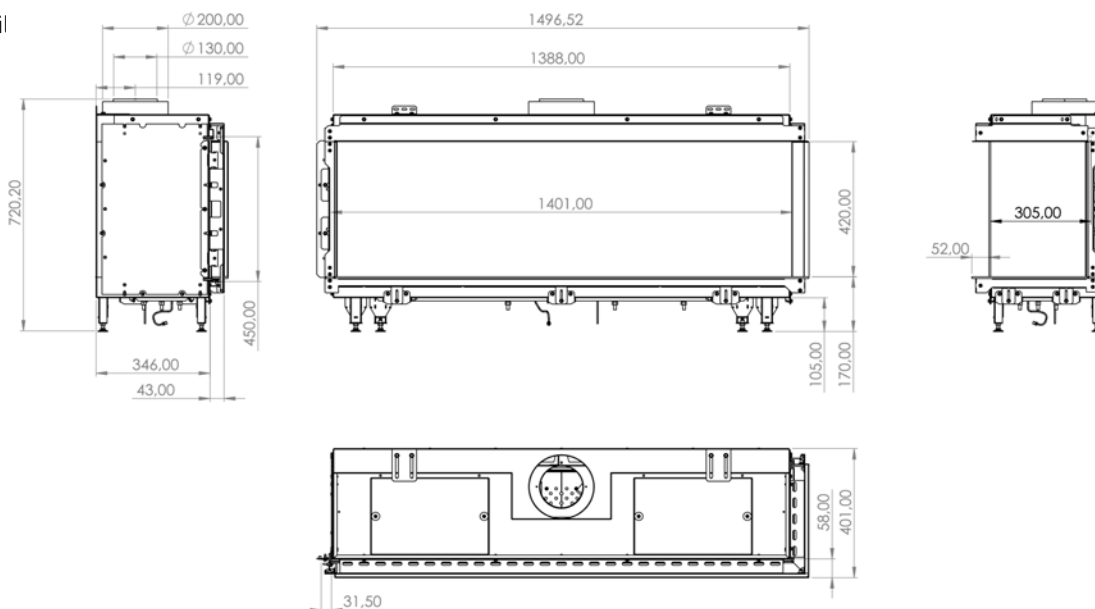
Powerfan: (Optional)

Anti-reflective glass: (Optional)

Access door: (Optional)

Remote control: (Standard)

Convection gril





*Gasfire*

# SUMMUM 190 C

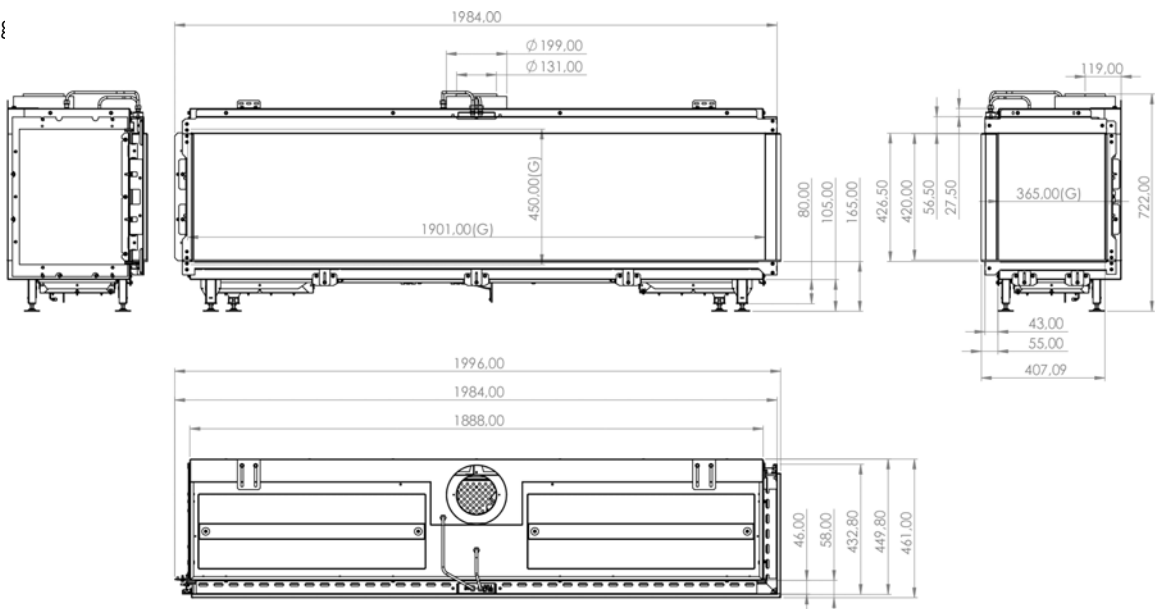
Real Flame Burner L LED	
Net natural gas capacity (min-max) G25:	2,2 - 17,4 kW
Net natural gas capacity (min-max) G20:	2,2 - 18,2 kW
Net propane capacity (min-max) G31:	2,2 - 16,2 kW
Efficiency:	89%

Energy efficiency class:	A
Venting ø (mm):	130/200

Black steel:	(Standard)
Black reflective panels:	(Optional)

Connect to home automation:	(Optional)
Operation via app - wifi kit:	(Optional)
Powerfan:	(Optional)
Anti-reflective glass:	(Optional)
Access door:	(Optional)
Remote control:	(Standard)

Convection {





*Gasfire*

## LUCIUS 140

Quad burner

Net natural gas capacity (min-max) G25: 2,2 - 12,9 kW

Net natural gas capacity (min-max) G20: 2,2 - 12,9 kW

Net propane capacity (min-max) G31: 2,2 - 13,3 kW

Efficiency: 90%

Energy efficiency class: A

Venting  $\varnothing$  (mm): 130/200

Black steel: (Standard)

Black reflective panels: (Optional)

Connect to home automation: (Optional)

Operation via app - wifi kit: (Optional)

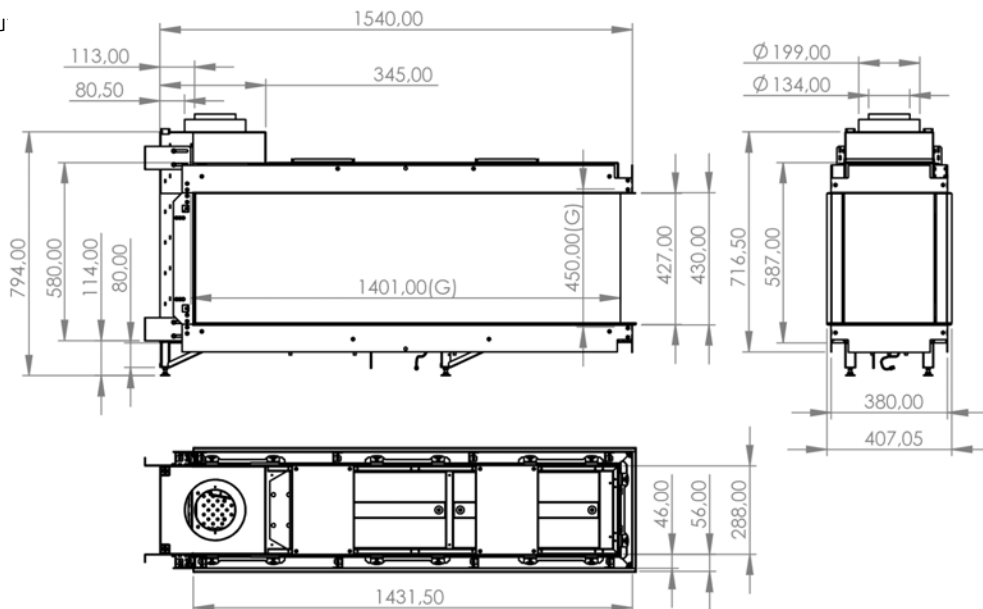
Powerfan: (Optional)

Anti-reflective glass: (Optional)

Access door: (Optional)

Remote control: (Standard)

Convection grills bu







Gasfire

## SUMMUM 140 RD

Real Flame Burner L LED

Net natural gas capacity (min-max) G25: 2,2 - 17,6 kW

Net natural gas capacity (min-max) G20: 2,2 - 18,2 kW

Net propane capacity (min-max) G31: 2,2 - 18,5 kW

Efficiency: 90%

Energy efficiency class: A

Venting ø (mm): 130/200

Black steel: (Standard)

Black reflective panels: (Optional)

Connect to home automation: (Optional)

Operation via app - wifi kit: (Optional)

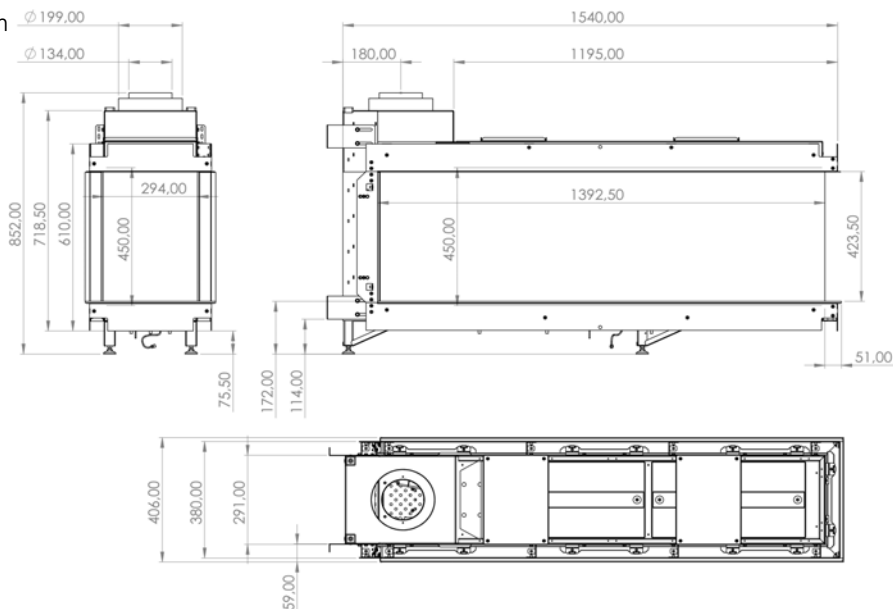
Powerfan: (Optional)

Anti-reflective glass: (Optional)

Access door: (Optional)

Remote control: (Standard)

Convection grills built-in







Gasfire

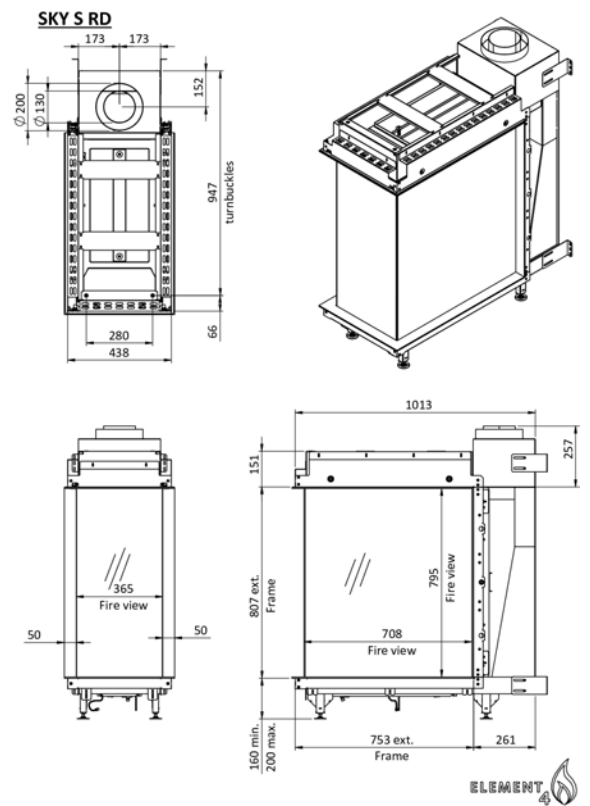
## SKY SMALL ROOMDIVIDER

Real Flame Burner	
Net natural gas capacity (min-max) G25:	4,3 - 14,1 kW
Net natural gas capacity (min-max) G20:	4,6 - 15,7 kW
Net propane capacity (min-max) G31:	4,1 - 12,5 kW
Efficiency:	89%

Energy efficiency class:	A
Venting $\varnothing$ (mm):	130 / 200

Black steel:	(Standard)
Black reflective panels:	(Optional)

Connect to home automation:	(Optional)
Operation via app - wifi kit:	(Optional)
Powerfan:	(Optional)
Anti-reflective glass:	(Optional)
Access door:	(Optional)
Remote control:	(Standard)
Convection grills built-in and surface-mounted:	(Optional)



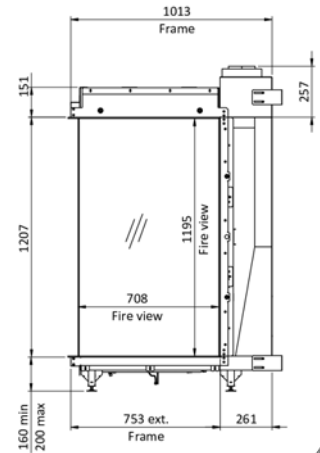
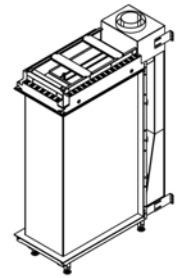
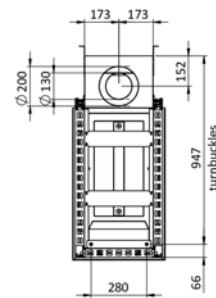


Gasfire

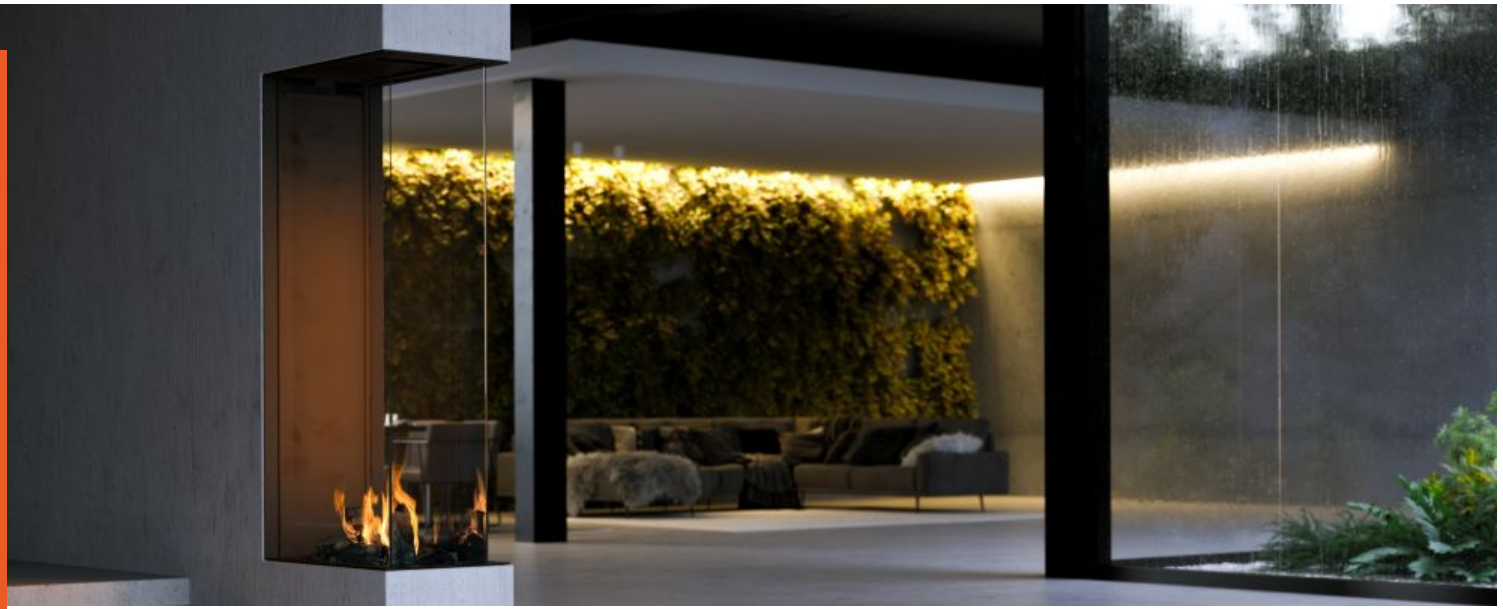
## SKY MEDIUM ROOMDIVIDER

Real Flame Burner	
Net natural gas capacity (min-max) G25:	4,3 - 14,1 kW
Net natural gas capacity (min-max) G20:	4,6 - 15,7 kW
Net propane capacity (min-max) G31:	4,1 - 12,5 kW
Efficiency:	89%
<hr/>	
Energy efficiency class:	A
Venting ø (mm):	130 / 200
<hr/>	
Black steel:	(Standard)
Black reflective panels:	(Optional)
<hr/>	
Connect to home automation:	(Optional)
Operation via app - wifi kit:	(Optional)
Powerfan:	(Optional)
Anti-reflective glass:	(Optional)
Access door:	(Optional)
Remote control:	(Standard)
Convection grills built-in and surface-mounted:	(Optional)

SKY M RD



ELEMENT 



Gasfire

# SKY LARGE ROOM DIVIDER

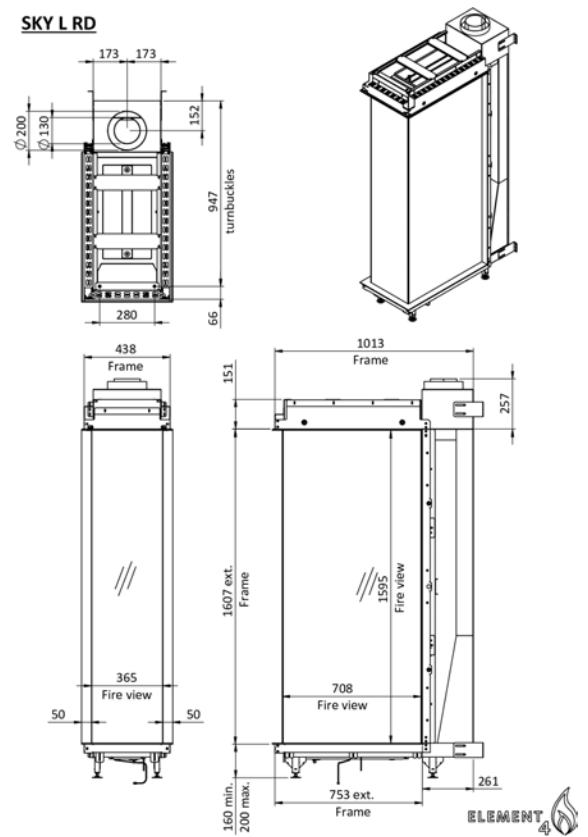
Real Flame Burner	
Net natural gas capacity (min-max) G25:	4,3 - 14,1 kW
Net natural gas capacity (min-max) G20:	4,6 - 15,7 kW
Net propane capacity (min-max) G31:	4,1 - 12,5 kW
Efficiency:	89%

Energy efficiency class:	A
Venting $\varnothing$ (mm):	130 / 200

Black steel:	(Standard)
Black reflective panels:	(Optional)

Connect to home automation:	(Optional)
Operation via app - wifi kit:	(Optional)
Powerfan:	(Optional)
Anti-reflective glass:	(Optional)
Access door:	(Optional)
Remote control:	(Standard)
Convection grills built-in and surface-mounted:	(Optional)
LED bottom lighting:	(Optional)

SKY L RD





*Gasfire*

## SUMMUM 140 4/S

Real Flame Burner L LED

Net natural gas capacity (min-max) G25: 2,2 - 17,6 kW

Net natural gas capacity (min-max) G20: 2,2 - 18,2 kW

Net propane capacity (min-max) G31: 2,2 - 18,5 kW

Efficiency: 90%

Energy efficiency class: A

Venting  $\varnothing$  (mm): 130/200

Connect to home automation: (Optional)

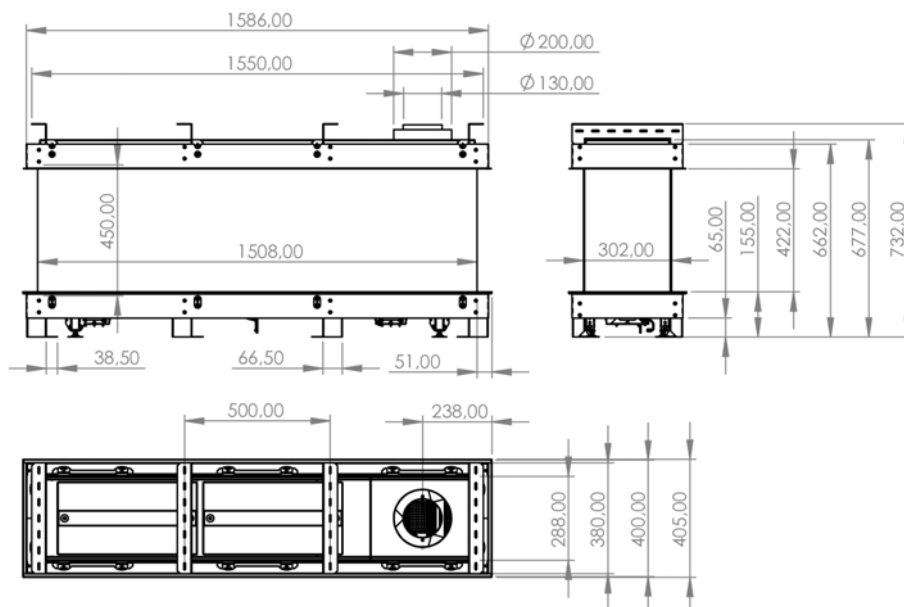
Operation via app - wifi kit: (Optional)

Powerfan: (Optional)

Access door: (Optional)

Remote control: (Standard)

Convection grills built-in and surface-mounted: (Optional)







*Gasfire*

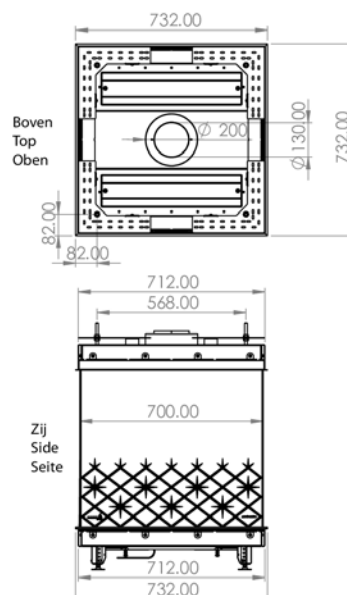
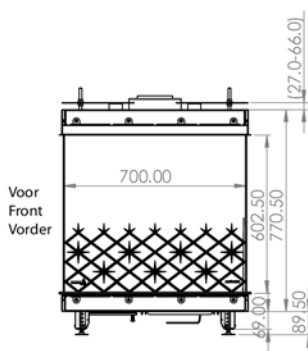
## ARCHITECT SERIES

Net natural gas capacity (min-max) G25:	10.5 kW
Net natural gas capacity (min-max) G20:	10.9 kW
Net propane capacity (min-max) G31:	12.5 kW
Efficiency:	83%

Energy efficiency class:	B
Venting ø (mm):	200/130

Connect to home automation:	(Optional)
Operation via app - wifi kit:	(Optional)
Powerfan:	(Optional)
Access door:	(Optional)
Remote control:	(Standard)
Convection grills built-in and surface-mounted:	(Optional)

**Architect Series**  
Alle maten in mm  
All sizes in mm  
Alle Größen in mm







Gasfire

# KUDOS

Real Flame Burner S

Net natural gas capacity (min-max) G25: 1,7 - 6,6 kW

Net natural gas capacity (min-max) G20: 1,8 - 7,4 kW

Net propane capacity (min-max) G31: 1,6 - 6,8 kW

Efficiency: 90%

Energy efficiency class: A

Venting ø (mm): 100 / 150

Black steel: (Standard)

Black reflective panels: (Optional)

Connect to home automation: (Optional)

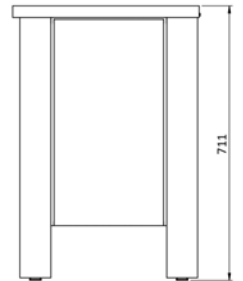
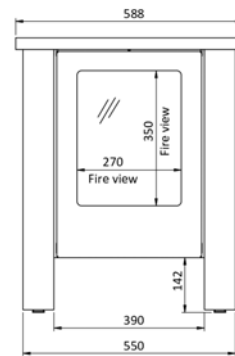
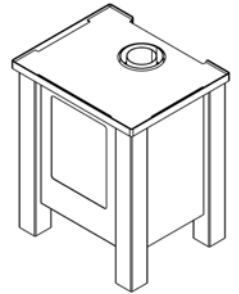
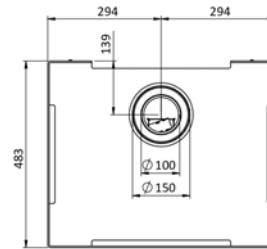
Operation via app - wifi kit: (Optional)

Powerfan: (Optional)

Anti-reflective glass: (Optional)

Remote control: (Standard)

## KUDOS





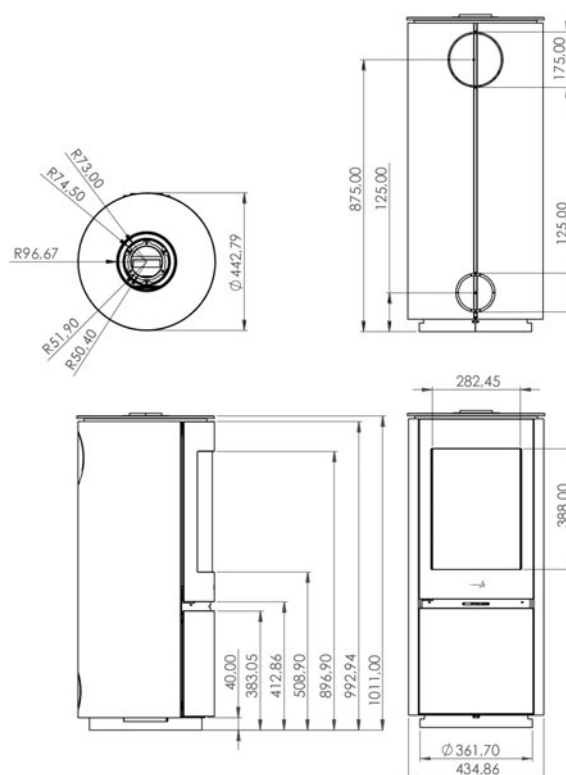
## Gasfire OVATION

Real Flame Burner S	
Net natural gas capacity (min-max) G25:	1,7 - 6,6 kW
Net natural gas capacity (min-max) G20:	1,8 - 7,4 kW
Net propane capacity (min-max) G31:	1,6 - 6,8 kW
Efficiency:	90%

Energy efficiency class:	A
Venting $\varnothing$ (mm):	100 / 150

Black steel:	(Standard)
Black reflective panels:	(Optional)

Connect to home automation:	(Optional)
Operation via app - wifi kit:	(Optional)
Powerfan:	(Optional)
Remote control:	(Standard)



**AN EXTRAORDINARY INTERIOR NEEDS A  
FIREPLACE FROM ELEMENT4**



**ELEMENT**  
**4** 

