



# Installation guide for wood-burning stoves

Flue material and installation options



# Dik Geurts wood stoves

## For lovers of real wood fire

Craftsmanship and design have been central to Dik Geurts since its foundation. In the meantime, Dik Geurts stoves have become a household name in the world of fireplaces. Thanks to its product range, ease of use and attention to green fires. All Dik Geurts wood stoves comply with the current EcoDesign 2022 legislation.

### Brochure

Besides a good quality appliance, the right installation also makes an important contribution to responsible heating. This brochure provides an overview of all available Dik Geurts flue materials including detailed explanations. Always consult the installation manual for correct installation methods. And pay attention to local regulations regarding guidelines and building regulations.

### Key topics

- Available product range including illustrations, part numbers and descriptions
- Installation examples of common installations
- Comprehensive article overviews with useful lengths and offset tables

*Dik Geurts, since 2007 trademark of DRU Verwarming B.V., develops and manufactures all its products in-house. In addition to wood-burning stoves DRU also has an extensive range of gas fires and electric fires.*



*All Dik Geurts wood stoves comply with the requirements of EcoDesign 2022.*

# Contents

<b>1. GENERAL</b>	<b>4</b>
<b>2. CONDENSATION DRAINING VERSUS FLUE CONDUCTIVE CONNECTION</b>	<b>5</b>
<b>3. STOVES WITH Ø 130 MM CONNECTION</b>	<b>6</b>
3.1. Freestanding wood stoves	6
3.2. Flue material	7
3.3. Installation examples with top connection	10
3.4. Installation examples with rear connection	12
<b>4. STOVES WITH Ø 150 MM CONNECTION</b>	<b>13</b>
4.1. Freestanding wood stoves	13
4.2. Flue material	14
4.3. Installation examples with top connection	16
4.4. Installation examples with rear connection	19
<b>5. INSERT AND BUILT-IN FIRES WITH Ø 150 MM CONNECTION</b>	<b>20</b>
5.1. Insert and built-in fires	20
5.2. Flue material	20
5.3. Installation examples with top connection	21
<b>6. INSERT AND BUILT-IN FIRES WITH Ø 180 MM CONNECTION</b>	<b>22</b>
6.1. Insert and built-in fires	22
6.2. Flue material	22
6.3. Installation examples with top connection	23
<b>7. OFFSET TABLES AND T-PIECES</b>	<b>24</b>
7.1. Bend 90°	24
7.2. Bend 45°	24
7.3. Bend 30°	24
7.4. Bend 15°	25
7.5. T-pieces	25



# General

Dik Geurts has an extensive range of flue materials. These are mainly the visible parts such as connection pipes, bends, etc. and are used up to the ceiling.

Other installation materials (such as niche bushings, connection pieces, etc.) are available elsewhere.

Dik Geurts flue materials, most important properties:

- For indoor use
- Single-walled connection material<sup>1)</sup>
- Colour dark anthracite (Same colour as the wood-burning stoves)
- Meets the EN-1856-2 standard
- Performance statements see Druservice website

<sup>1)</sup> When using insulated flue materials (not available at Dik Geurts), the draught may become too high and the use of a flue gas damper is recommended.

## 2. Condensation draining versus flue conductive connection



**You can connect wood stoves in two ways.**

**Both installations are in many cases permitted but always consult the local legislation.**

### 1. Condensation draining

By inserting the flue pipe into the spigot on the stove. This is then continued by adjustable pipe sections into the lower pipe. In this way, condensation which forms in the pipe as smoke gases cool down will always flow back into the stove. This prevents streaks or rust formation on the outside of the flue material or leaks.

### 2. Conductive connection

Here the flue pipe is placed over the spigot on the stove. It is then built further by placing pipe sections over the lower pipe. In this way, flue gases will always pass through the chimney. Even in situations of low draught, the chance of smoke gases ending up in the living room via the pipe into the living room.

### Dik Geurts condensation draining flue material

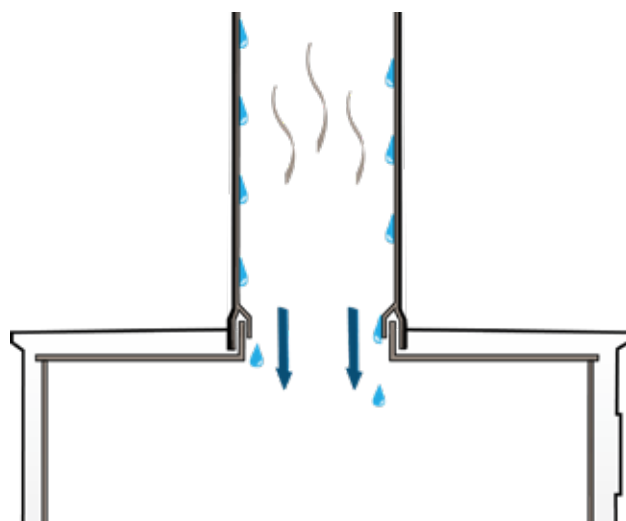
You can install the Dik Geurts in-water chimney with the Dik Geurts flue system. Why has this been chosen?

The combustion of wood also creates water. Condensation therefore occurs with all installations. With a watertight installation, the condensate will flow back into the stove.

In addition, with the correct installation and by following the correct heating methods, there is sufficient draught. Low draught can also cause smoke to escape when refilling the stove and should therefore always be avoided.

### RS fireplaces ('Room Sealed')

RS fireplaces are placed where there is negative pressure in the room. In these fires, the oxygen for combustion is taken almost entirely from outside.



## 3. Stoves with a Ø 130 mm connection

### 3.1 Freestanding wood stoves







All wood stoves are supplied as standard with the spigot on top of the stove.

For installation with a flue connection at the rear of the stove, the spigot is to be relocated to the rear of the stove.  
See the instructions in the installation manual.

Consult the installation manual to check whether your appliance has a top and/or rear connection.










## 3.2 Flue material (Ø 130 mm)

Pipe (and adapter), stainless steel, fixed or adjustable, coated			
	Article number Dik Geurts	Description	Working length
	84971	Connecting pipe Ø 125-130 mm, 120 mm, draining, dark anthracite Only for installation directly on top or rear the stove. For a rear installation, the spigot is to be relocated from the top of the stove to the rear. For this, follow the instructions in the installation manual.	max. 120 mm*
	84972	Connecting pipe Ø 125-130 mm, 1000 mm, draining, dark anthracite Only for installation directly on top of the stove.	max. 1000 mm*
	84960	Pipe Ø 130 mm, 500 mm, adjustable, dark anthracite Consists of a single pipe. To be used in combination with one of the flues below: • 84972 Connecting pipe Ø 125-130 mm, 1000 mm, draining, dark anthracite • 84961 Pipe Ø 130 mm, 500 mm, dark anthracite • 84962 Pipe Ø 130 mm, 1000 mm, dark anthracite First place the (connection) pipe, then the adjustable pipe.	55-445 mm
	84961	Pipe Ø 130 mm, 500 mm, dark anthracite To be used for further construction after article 84971 or 84972. Not suitable for installation directly on top of the stove.	445 mm
	84963	Pipe Ø 130 mm, 1000 mm, adjustable pipe, dark anthracite Consists of a single pipe. To be used in combination with one of below flue material: • 84972 Connecting pipe Ø 125-130 mm, 1000 mm, draining, dark anthracite • 84962 Pipe Ø 130 mm, 1000 mm, dark anthracite First place the (connection) pipe, then the adjustable pipe.	55-945 mm
	84962	Pipe Ø 130 mm, 1000 mm, dark anthracite To be used for further construction after article 84971 or 84972. Not suitable for installation directly on top of the stove.	945 mm

\* Working length differs per stove, this depends on the part of the connection pipe that is installed into the stove



## Flue material (Ø 130 mm)

Bend, stainless steel, coated			
	Article number Dik Geurts	Description	Working length
	84964	Bend Ø 130 mm, 15°, dark anthracite	-
	84965	Bend Ø 130 mm, 30°, dark anthracite	-
	84966	Bend Ø 130 mm, 45°, dark anthracite	-
	84967	Bend Ø 130 mm, 90°, dark anthracite Only for use with rear connection.	-
T-piece, stainless steel, coated			
	84968	T-piece Ø 130 mm, including end cap, dark anthracite Can also be used if a sweeping or inspection opening is required.	140 mm from middle
Flue gas damper, painted stainless steel, coated			
	84969	Flue gas damper, Ø 130 mm, dark anthracite For use in high draught installations. Install in a place easily accessible for the user.	195 mm
Rosette, coated			
	84970	Rosette Ø 130 mm, dark anthracite	-

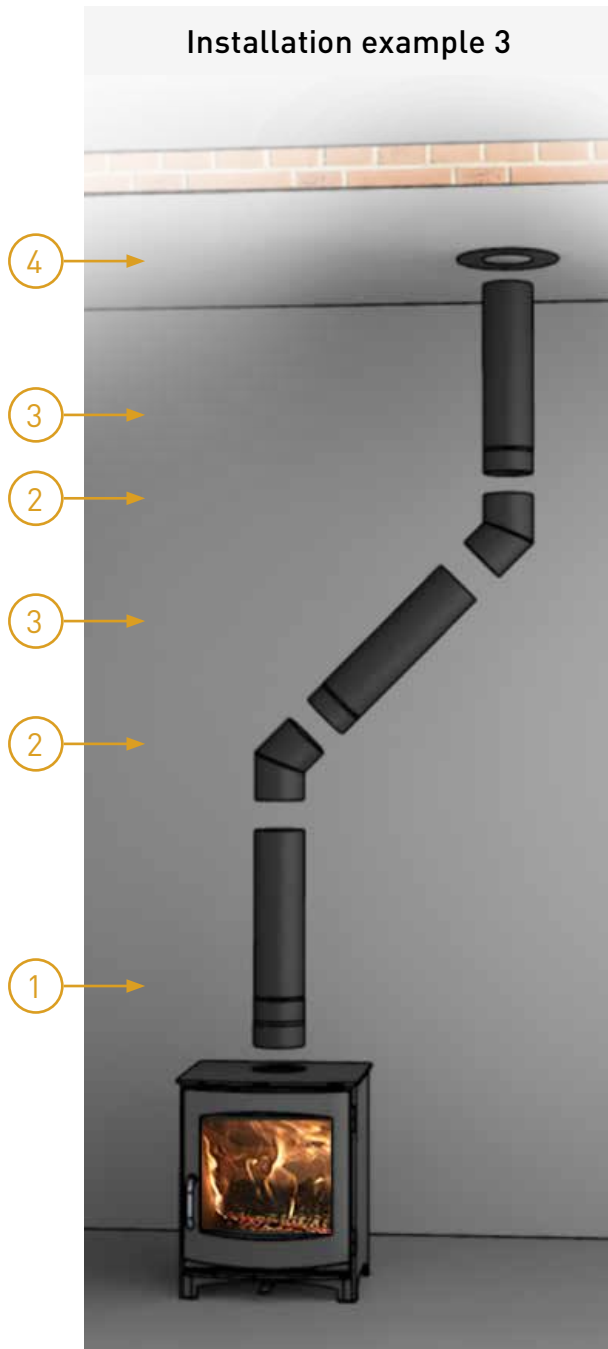
### 3.3 Installation examples with top connection



Installation example 1			
Product	Article number Dik Geurts	Description	Working length
1	84972	Connection pipe Ø 125-130 mm, 1000 mm, draining	1000 mm
2	84963	Pipe Ø 130 mm, 1000 mm, adjustable pipe	55-945 mm
3	84970	Rosette Ø 130 mm	-
			max. 1055-1945 mm

Installation example 2			
Product	Article number Dik Geurts	Description	Working length
1	84971	Connection pipe Ø 125-130 mm, 120 mm, draining	120 mm
2	84969	Flue gas damper Ø 130 mm	195 mm
3	84961	Pipe Ø 130 mm, 500 mm	445 mm
4	84960	Pipe Ø 130 mm, 500 mm, adjustable pipe	55-445 mm
5	84970	Rosette Ø 130 mm	-
			max. 815-1205 mm

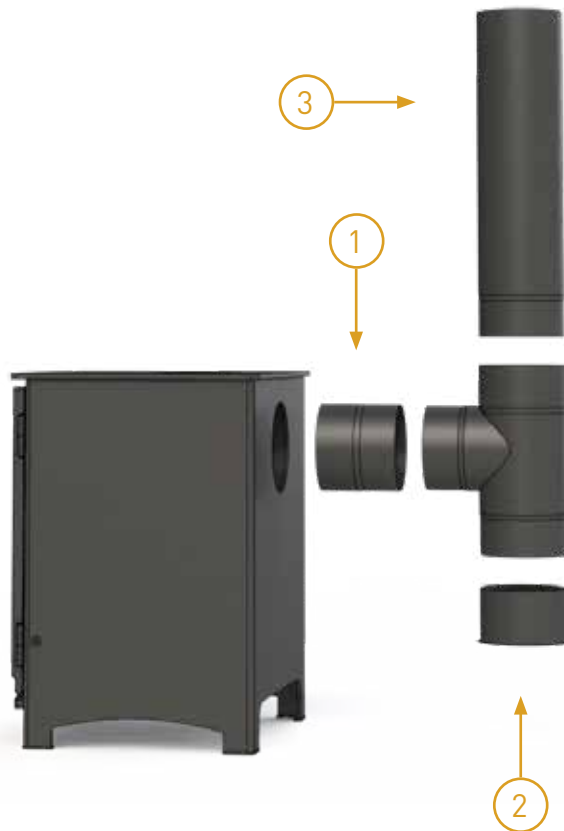
### Installation example 3



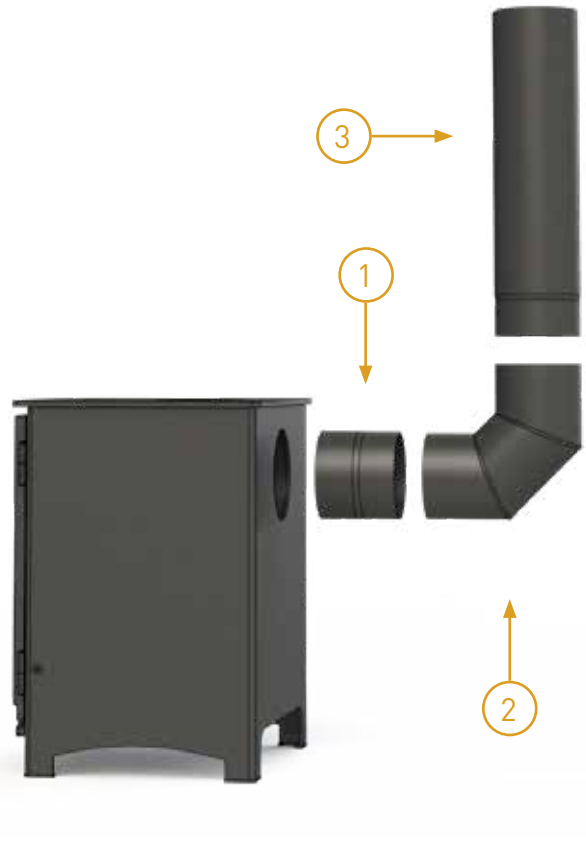
Installation example 3				
Product	Article number Dik Geurts	Description	Working length	
			Vertical	Horizontal
1	84972	Connection pipe Ø 125-130 mm, 1000 mm, draining	1000 mm	-
2	84966	Bend Ø 130 mm, 45°, dark anthracite	-	420 mm
3	84961	Pipe Ø 130 mm, 500 mm	445 mm	-
4	84970	Rosette Ø 130 mm	-	-
			max. 1960 mm	max. 420 mm

### 3.4 Installation examples with rear connection

Installation example 4



Installation example 5



Installation example 4				
Product	Article number Dik Geurts	Description	Working length	
			Vertical	Horizontal
1	84971	Connection pipe Ø 125-130 mm, 120 mm, draining	-	120 mm*
2	84968	T-piece Ø 130 mm, including end cap	140 mm	90 mm
3	84961	Pipe Ø 130 mm, 500 mm	445 mm	-
			max. 585 mm	max. 210 mm

Installation example 5				
Product	Article number Dik Geurts	Description	Working length	
			Vertical	Horizontal
1	84971	Connection pipe Ø 125-130 mm, 120 mm, draining	-	120 mm
2	84967	Bend Ø 130 mm, 90°	165 mm	120 mm
3	84961	Pipe Ø 130 mm, 500 mm	445 mm	-
			max. 610 mm	max. 240 mm

\* Working length differs per stove, this depends on the part of the connection pipe that is installed into the stove.

## 4. Stoves with a Ø 150 mm connection

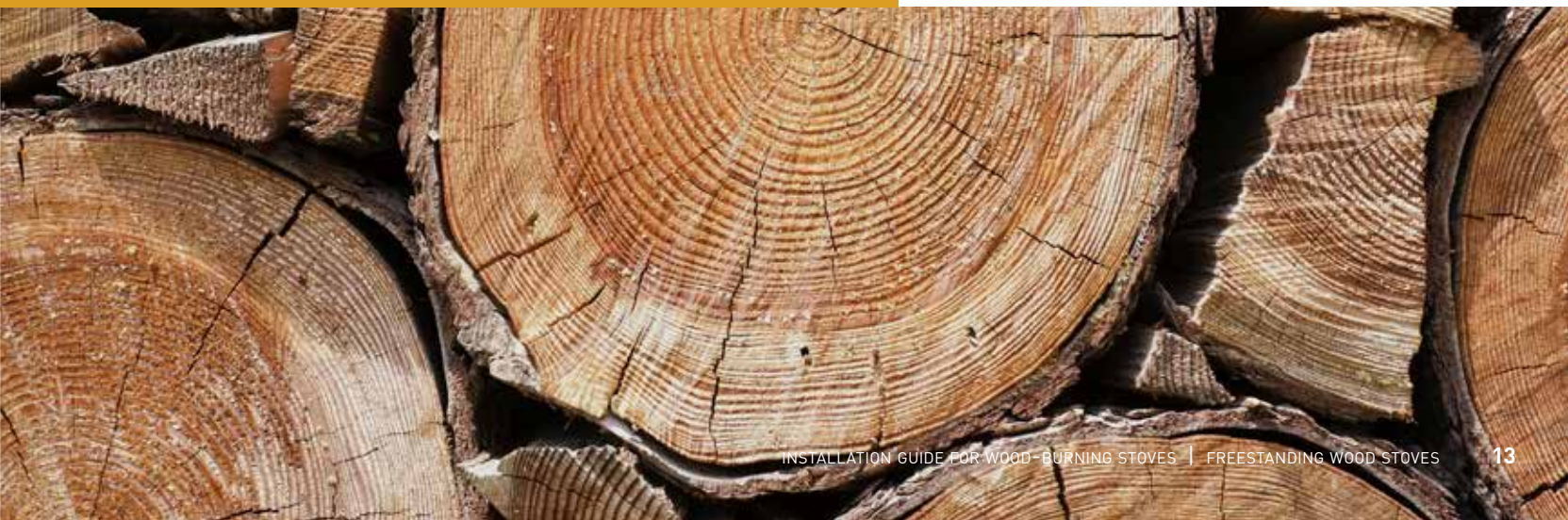
### 4.1 Freestanding wood stoves

All wood stoves are supplied as standard with the flue connection on top of the stove.







For installation with a spigot at the rear of the stove, the flue gas ring is to be relocated to the rear of the stove.

See the instructions in the installation manual.

Consult the installation manual to check whether your appliance has a top and/or rear connection.










## 4.2 Flue material (Ø 150 mm)

Pipe (and connection pipe), stainless steel, fixed or adjustable, coated			
	Article number Dik Geurts	Description	Working length
	84992	Connecting pipe Ø 150 mm, 120 mm, draining, dark anthracite  Only for installation directly on top of the stove.  For a rear installation, the spigot is to be relocated from the top of the stove to the rear. Follow the instructions in the installation manual. Then this connection pipe can be connected to the conical ring.	120 mm*
	84993	Connecting pipe Ø 150 mm, 1000 mm, draining, dark anthracite  Only for installation directly on top of the stove.	1000 mm*
	86089	Connecting pipe Ø 150 mm, 1000 mm, dark anthracite  Only for use with Ivar 8.  For direct connection to the top of the stove.	960 mm
	84978	Pipe Ø 150 mm, 500 mm, adjustable pipe, dark anthracite  Consists of a single pipe. To be used in combination with one of flue below: <ul style="list-style-type: none"> <li>• 84993 Connecting pipe Ø 150 mm, 1000 mm, draining, dark anthracite</li> <li>• 84981 Pipe Ø 150 mm, 500 mm, dark anthracite</li> <li>• 84982 Pipe Ø 150 mm, 1000 mm, dark anthracite</li> </ul> First place the (connection) pipe, then the adjustable pipe.	55-445 mm
	84981	Pipe Ø 150 mm, 500 mm, dark anthracite	445 mm
	84982	Pipe Ø 150 mm, 1000 mm, dark anthracite	945 mm
	84983	Pipe Ø 150 mm, 1000 mm, adjustable pipe, dark anthracite  Consists of a single pipe. To be used in combination with one of the below flue materials: <ul style="list-style-type: none"> <li>• 84993 Connecting pipe Ø 150 mm, 1000 mm, draining, dark anthracite</li> <li>• 84982 Pipe Ø 150 mm, 1000 mm, dark anthracite</li> </ul> First place the (connection) pipe and then the adjustable pipe.	55-945 mm

\* Working length differs per stove, this depends on the part of the connection pipe that is installed into the stove

## Flue material (Ø 150 mm)

Bend, stainless steel, coated			
	Article number Dik Geurts	Description	Working length
	84986	Bend Ø 150 mm, 15°, dark anthracite	-
	84987	Bend Ø 150 mm, 30°, dark anthracite	-
	84988	Bend Ø 150 mm, 45°, dark anthracite	-
	84990	Bend Ø 150 mm, 90°, dark anthracite Only to be used with rear connection.	-
T-piece, stainless steel, coated			
	84996	T-piece Ø 150 mm, incl. end cap, dark anthracite	140 mm from middle
Flue damper, painted stainless steel, coated			
	84997	Flue damper Ø 150 mm, dark anthracite For use in high draught installations. Install in a place easily accessible for the user.	195 mm
Rosette, coated			
	84976	Rosette Ø 150 mm, dark anthracite	-

### 4.3 Installation examples with top connection<sup>1)</sup>

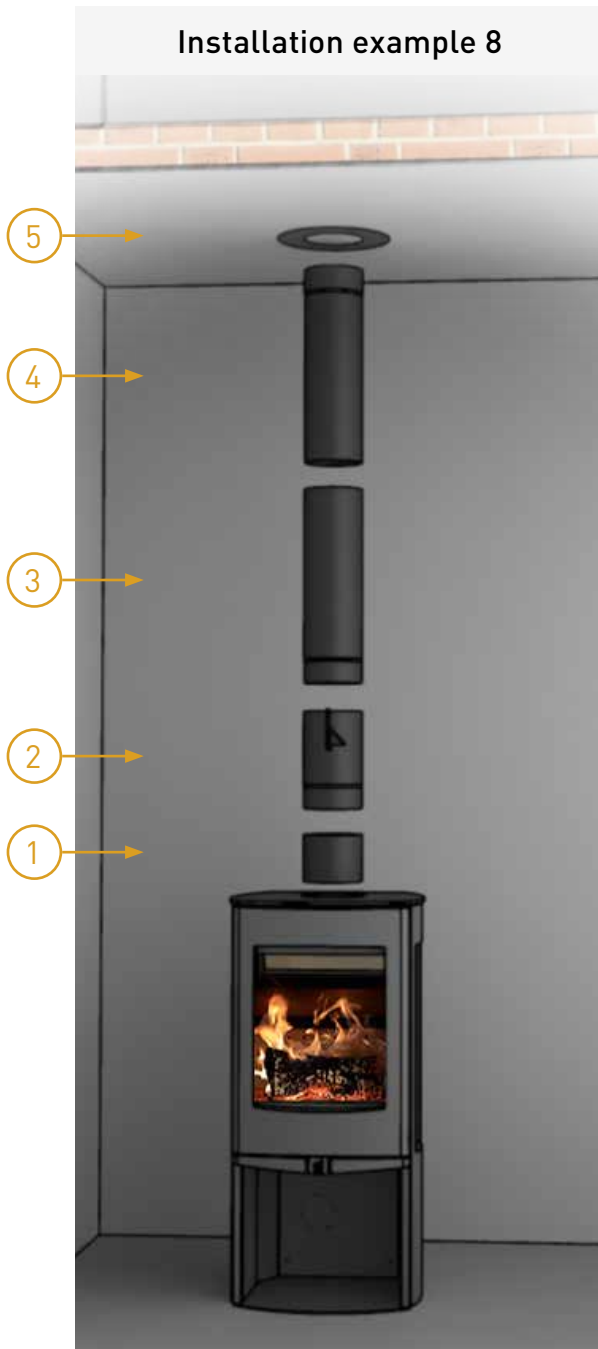


Installation example 6				
Product	Article number Dik Geurts	Description	Working length	
			Vertical	Horizontal
1	84993	Connection pipe Ø 150 mm, 1000 mm, draining	max. 1000 mm	-
2	84988	Bend Ø 150 mm, 45°	215 mm	110 mm
			max. 1215 mm	max. 110 mm

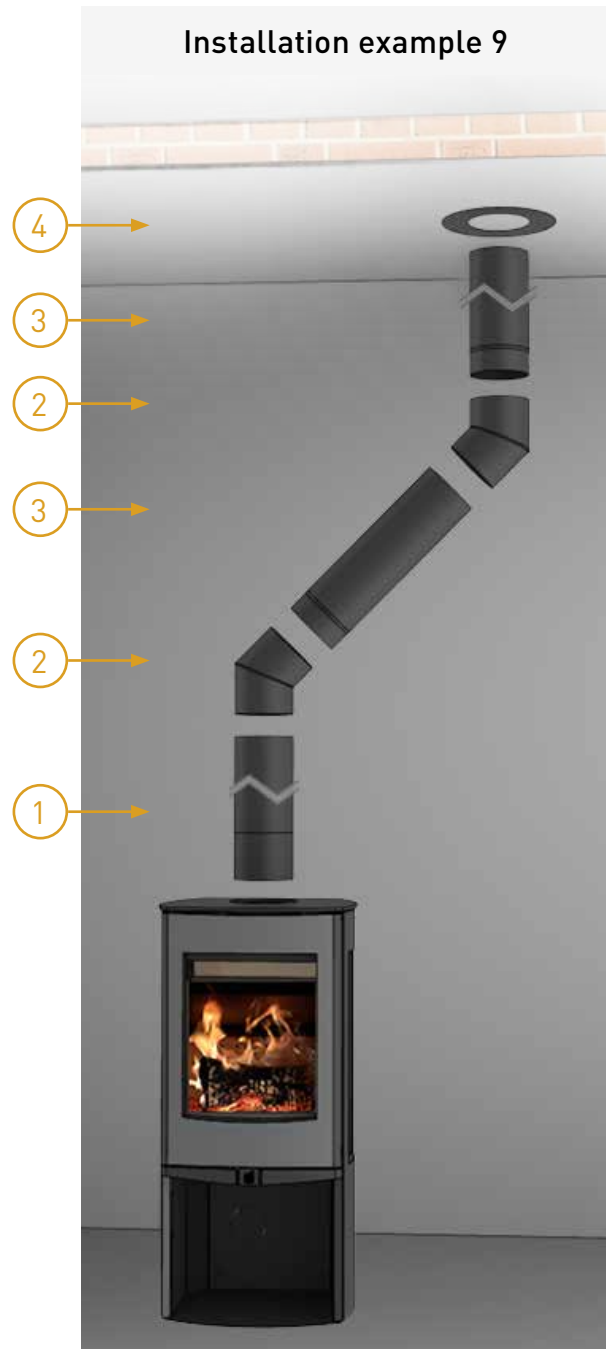
Installation example 7				
Product	Article number Dik Geurts	Description	Working length	
			Vertical	Horizontal
1	84993	Connection pipe Ø 150 mm, 1000 mm, draining	max. 1000 mm	-
2	84983	Pipe Ø 150 mm, 1000 mm, adjustable pipe	55-945 mm	-
3	84976	Rosette Ø 150 mm	n.v.t.	-
			max. 1055-1945 mm	-

<sup>1)</sup> Only Ivar 8 has a different connection pipe, to be placed directly onto the stove (86089)

Installation example 8



Installation example 9



Installation example 8				
Product	Article number Dik Geurts	Description	Working length	
			Vertical	Horizontal
1	84992	Connection pipe Ø 150 mm, 120 mm, draining	max. 120 mm*	-
2	84997	Flue damper Ø 150 mm	195 mm	-
3	84981	Pipe Ø 150 mm, 500 mm	445 mm	-
4	84978	Pipe Ø 150 mm, 500 mm adjustable pipe	55-445 mm	-
5	84976	Rosette Ø 150 mm	-	-
			max. 815-1205 mm	-

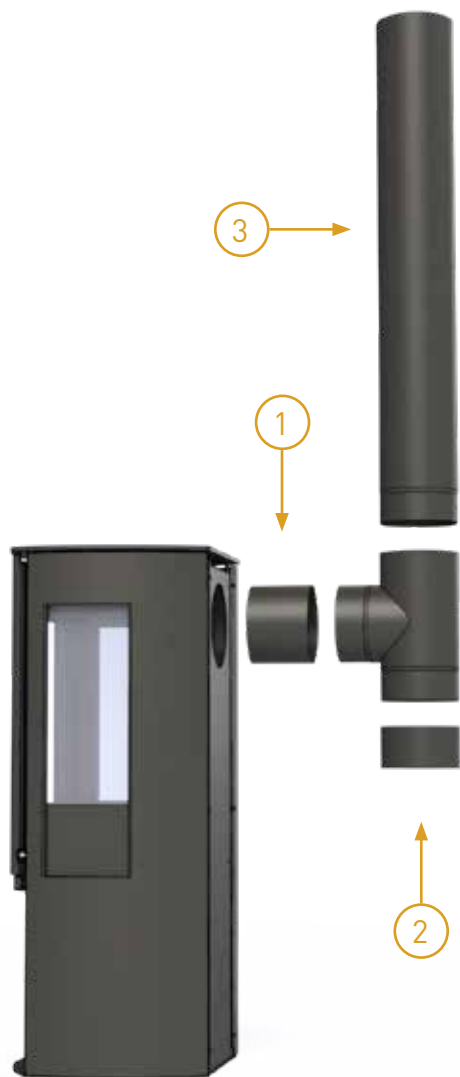
Installation example 9				
Product	Article number Dik Geurts	Description	Working length	
			Vertical	Horizontal
1	84993	Connection pipe Ø 150 mm, 1000 mm, draining	1000 mm	-
2	84988	Bend Ø 150 mm, 45°	-	425 mm
3	84981	Pipe Ø 150 mm, 500 mm	445 mm	-
4	84976	Rosette Ø 150 mm	-	-
			max. 2030 mm	max. 425 mm

\* Working length differs per stove, this depends on the part of the connection pipe that is installed into the stove

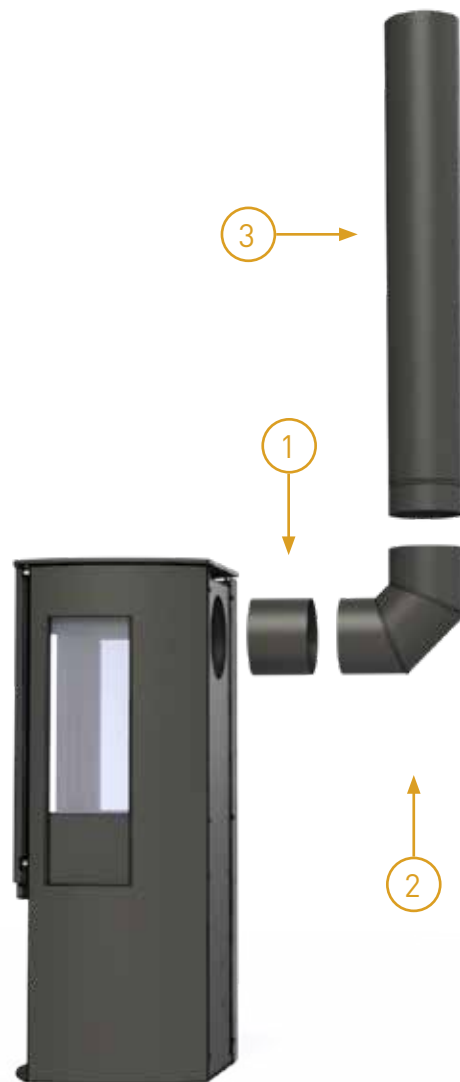


## 4.4 Installation examples with rear connection

Installation example 10



Installation example 11



Installation example 10				
Product	Article number Dik Geurts	Description	Working length	
			Vertical	Horizontal
1	84992	Connection pipe Ø 150 mm, 120 mm, draining	-	120 mm
2	84996	T-piece Ø 150 mm, including end cap	150 mm	100 mm
3	84981/84982	Pipe Ø 150 mm, 500 mm or 1000 mm	945 mm	-
			1095 mm	220 mm

Installation example 11				
Product	Article number Dik Geurts	Description	Working length	
			Vertical	Horizontal
1	84992	Connection pipe Ø 150 mm, 120 mm, draining	-	120 mm
2	84990	Bend Ø 150 mm, 90°	175 mm	125 mm
3	84981/84982	Pipe Ø 150 mm, 500 mm or 1000 mm	945 mm	-
			1120 mm	245 mm

\* Working length differs per stove, this depends on the part of the connection pipe that is installed into the stove



## 5. Insert and built-in fires with Ø 150 mm connection




### 5.1 Insert and built-in fires

All insert and built-in fires are supplied without a spigot except for the RS-pipe.

The connection ring must be ordered separately. Various options are available for this. Afterwards, the construction can be continued with the flue material available on the market.

With RS units, the unit is supplied including connection ring. One can choose between a conical ring (not suitable in the UK) or a Linerkit Pro.

### 5.2 Flue material l (Ø 150 mm)

Connection ring Ø 150 mm			
	Article number Dik Geurts	Description	Working length
	85427	Linerkit Pro Ø 150 mm For connecting an adjustable flexible or fixed pipe, Ø 150 mm internal diameter.	-
	85429	Conical ring Ø 150 mm For connection to a fixed pipe.	-
	86002	Connecting piece for tapered flue pipe, Ø 150 mm internal	-

## 5.3 Installation examples with top connection

### Linerkit Pro:

Installation with flexible pipe

1 →



Linerkit Pro			
Product	Article number Dik Geurts	Description	Working length
1	85427	Linerkit Pro Ø 150 mm	-

Installation with fixed pipe

2 →

1 →



Linerkit Pro			
Product	Article number Dik Geurts	Description	Working length
1	85427	Linerkit Pro Ø 150 mm	-
2	84981/84982	Pipe Ø 150 mm, 500 mm or 1000 mm	500-1000 mm

### Conical ring (not suitable in the UK):

Installation with fixed pipe

2 →

1 →



Conical ring			
Product	Article number Dik Geurts	Description	Working length
1	85429	Conical ring Ø 150 mm	-
2	84993	Connection pipe Ø 150 mm, 1000 mm, draining	max. 1000 mm*

### Connection piece:

Installation with a tapered pipe, Ø 150 mm internal

2 →

1 →



Connection piece			
Product	Article number Dik Geurts	Description	Working length
1	86002	Connecting piece for tapered flue pipe, Ø 150 mm internal pipe, Ø 150 mm internal	-
2	84981/84982	Pipe Ø 150 mm, 500 mm or 1000 mm	500-1000 mm

\* Working length differs per stove, this depends on the part of the connection pipe that is installed into the stove



## 6. Insert and built-in fires with a Ø 180 mm connection




### 6.1 Insert and built-in fires

All insert and built-in fires are supplied without a connection ring, except for the RS units.

The connection ring must be ordered separately. Various options are available for this. Afterwards, the construction can be continued with the flue material available on the market.

With RS units, the unit is supplied including connection ring. One can choose between a conical ring (not suitable in the UK) or a Linerkit Pro.

### 6.2 Flue material (Ø 180 mm)

Connection ring Ø 180 mm			
	Article number Dik Geurts	Description	Working length
	85428	Liner kit Pro Ø 180 mm For connecting a flexible or fixed pipe, Ø 180 mm internal diameter.	-
	85430	Conical ring Ø 180 mm For connection with a fixed pipe.	-
	86003	Connecting piece for tapered pipe, Ø 180 mm internal n.a.	-

## 6.3 Installation examples with top connection

### Linerkit Pro:

Installation with flexible pipe

1 →



Linerkit Pro			
Product	Article number Dik Geurts	Description	Working length
1	85428	Linerkit Pro Ø 180 mm	-

Installation with a fixed pipe

2 →

1 →



Linerkit Pro			
Product	Article number Dik Geurts	Description	Working length
1	85428	Linerkit Pro Ø 180 mm	-
2	84951/84953	Pipe Ø 180 mm, 500 mm or 1000 mm	500-1000 mm

### Conical ring (not suitable in the UK):

Installation with a fixed pipe

2 →

1 →



Conische ring			
Product	Article number Dik Geurts	Description	Working length
1	85430	Conical ring Ø 180 mm	-
2	84955	Connection pipe Ø 180 mm, 1000 mm, draining	500-1000 mm

### Connection piece:

Installation with a tapered pipe, Ø 180 mm internal

2 →

1 →

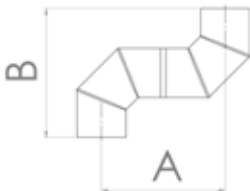
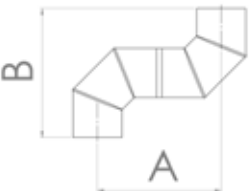


Aansluitstuk			
Product	Article number Dik Geurts	Description	Working length
1	86003	Connection piece for tapered pipe, Ø 180 mm internal	-
2	84951/84953	Pipe Ø 180 mm, 500 mm or 1000 mm	500-1000 mm


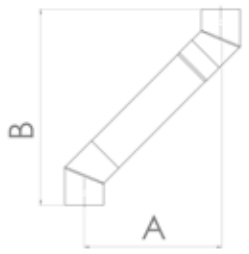
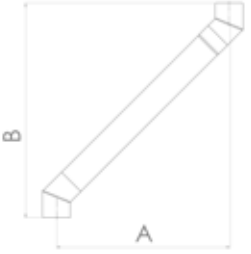
\* Working length differs per stove, this depends on the part of the connection pipe that is installed into the stove

# 7. Offset tables




## 7.1 Bend 90°

Bend Ø 130 mm				Bend Ø 150 mm			
							
Connection pipe	Bend Ø	A	B	Connection pipe	Bend Ø	A	B
0 cm	130 mm	284	229	0 cm	150 mm	300	245


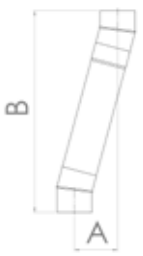

## 7.2 Bend 45°

0 mm				500 mm				1000 mm			
											
Bend Ø 130 mm				Bend Ø 150 mm							
Connection pipe	Bend Ø	A	B	Connection pipe	Bend Ø	A	B				
0 cm	130 mm	105	200	0 cm	150 mm	110	215				
500 mm	130 mm	420	515	500 mm	150 mm	425	530				
1000 mm	130 mm	775	870	1000 mm	150 mm	780	940				

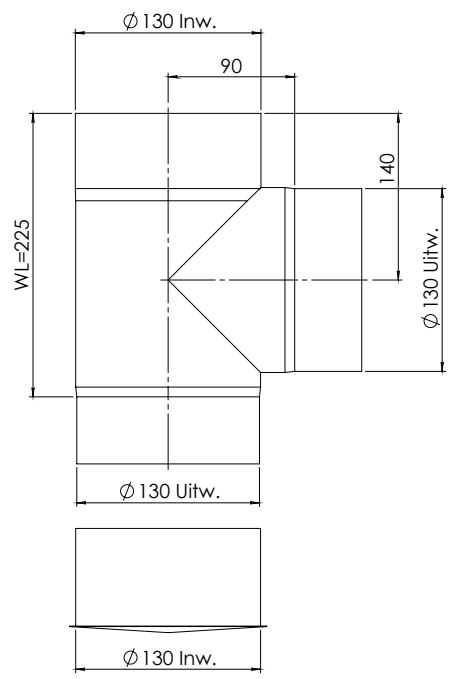
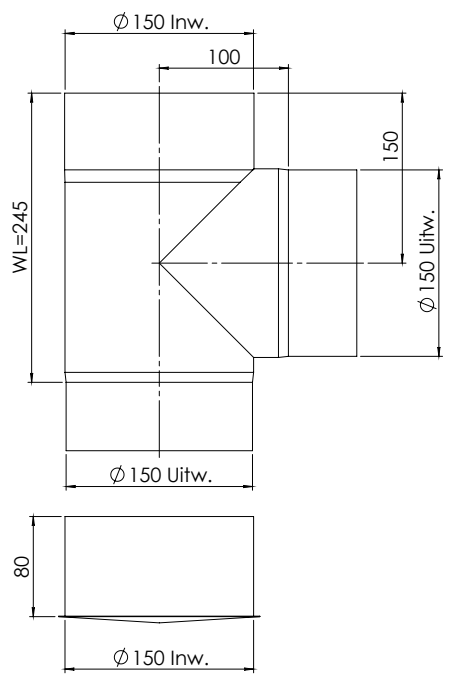
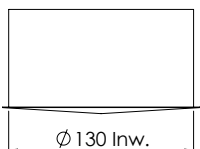
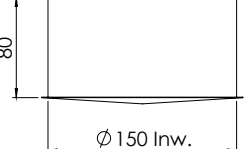
## 7.3 Bend 30°

0 mm				500 mm				1000 mm			
											
Bend Ø 130 mm				Bend Ø 150 mm							
Connection pipe	Bend Ø	A	B	Connection pipe	Bend Ø	A	B				
0 cm	130 mm	70	190	0 cm	150 mm	70	200				
500 mm	130 mm	290	575	500 mm	150 mm	290	585				
1000 mm	130 mm	540	1015	1000 mm	150 mm	540	1015				

## 7.4 Bend 15°

0 mm				500 mm				1000 mm			
											
<b>Bend Ø 130 mm</b>				<b>Bend Ø 150 mm</b>							
Connection pipe	Bend Ø	A	B	Connection pipe	Bend Ø	A	B	Connection pipe	Bend Ø	A	B
0 cm	130 mm	30	170	0 cm	150 mm	30	170	0 cm	150 mm	30	170
500 mm	130 mm	145	605	500 mm	150 mm	145	605	500 mm	150 mm	145	605
1000 mm	130 mm	275	1085	1000 mm	150 mm	275	1085	1000 mm	150 mm	275	1085

## 7.5 T-pieces

T-pieces Ø 130 mm		T-pieces Ø 150 mm	
			
			



# Service website

[www.druservice.com](http://www.druservice.com), [www.druservice.co.uk](http://www.druservice.co.uk)

Using a handy navigation system, extensive information can be found for:

- Fires and stoves
  - Article numbers
  - Line drawings
  - Installation and user manuals
  - Technical data
  - Part lists
- Accessories
- Flue material
- Instructional videos
- Marketing material (documentation, promotional items)

## My DRU

By logging in to your own account it is possible to place orders and obtain information about:

- Prices and delivery times
- Order status
- Turnover and discounts
- Service requests





# Dik Geurts

*Creation of flames*

DRU Verwarming B.V.  
P.O. Box 1021, 6920 BA Duiven  
Ratio 8, 6921 RW Duiven  
**The Netherlands**

T. +31 (0)26 - 319 5 319  
[www.dikgeurts.com](http://www.dikgeurts.com)

Drugasar Ltd.  
Deans Road, Swinton  
Manchester, M27 0JH  
**United Kingdom**

T. +44 (0)161 - 793 8700  
[www.dikgeurts.uk](http://www.dikgeurts.uk)

DRU Belgium  
Kontichsesteenweg 69/1  
2630 Aartselaar  
**Belgium**

T. +32 (0)3 - 450 7000  
[www.dikgeurts.be](http://www.dikgeurts.be)

since  
**1754**



BY APPOINTMENT OF  
THE COURT OF THE NETHERLANDS

Art. 9935601 | 2022-09



Dik Geurts is a trademark of DRU Verwarming B.V. Subject to changes. Nothing in this publication may be used without prior written consent of DRU Verwarming B.V. By appointment of the court of the Netherlands. All drawings are intended to illustrate possible chimney connections and may not be used as installation instructions. Always consult the installation instructions for the relevant wood stove.

SOCIAL MEDIA: For more inspiration and information, visit one of our social media channels or scan the QR code:

